

INTERNATIONAL

CATALOGUE



4X4 ACCESSORIES

CONTENTS

COMPANY

- 4 ARB History
- 6 Engineering
- 8 Manufacturing
- 192 Subscribe to ARB
- 193 ARB 4x4 Cultured

PRODUCTS

- 10 Protection
- 34 Recovery
- 44 Old Man Emu Suspension
- 56 LINX
- 60 Air Lockers
- 66 Air Systems
- 72 Canopies
- 82 Roof Racks
- 88 Drawers
- 92 Vehicle Lighting
- 100 Camping
- 114 Fridge Freezers
- 122 Power Solutions
- 130 Safari Snorkels
- 132 Tyre Accessories
- 134 Frontier Tanks
- 138 Bushranger
- 139 Fuel & Water Tanks
- 140 External Accessories
- 141 Kaymar
- 142 First Aid Kits
- 143 Accessories



VEHICLES

FORD

- 146 Ranger
- 148 Everest
- 150 F250 & F350

CHEVROLET/GM

- 152 Colorado
- 174 Silverado, Suburban & Tahoe

ISUZU

- 154 D-Max
- 156 MU-X

JEEP

- 158 Wrangler
- 160 Grand Cherokee

LAND ROVER

- 161 Defender
- 162 Discovery

MAZDA

- 164 BT-50

MITSUBISHI

- 166 Triton L200
- 168 Pajero Sport
- 169 Pajero/Montero

NISSAN

- 170 Patrol
- 172 Navara

DODGE

- 175 Ram

TOYOTA

- 176 4Runner
- 178 LandCruiser 200 Series
- 180 LandCruiser Prado
- 182 HiLux Revo
- 184 LandCruiser 70 Series
- 186 Fortuner
- 188 Tacoma

VOLKSWAGEN

- 190 Amarok

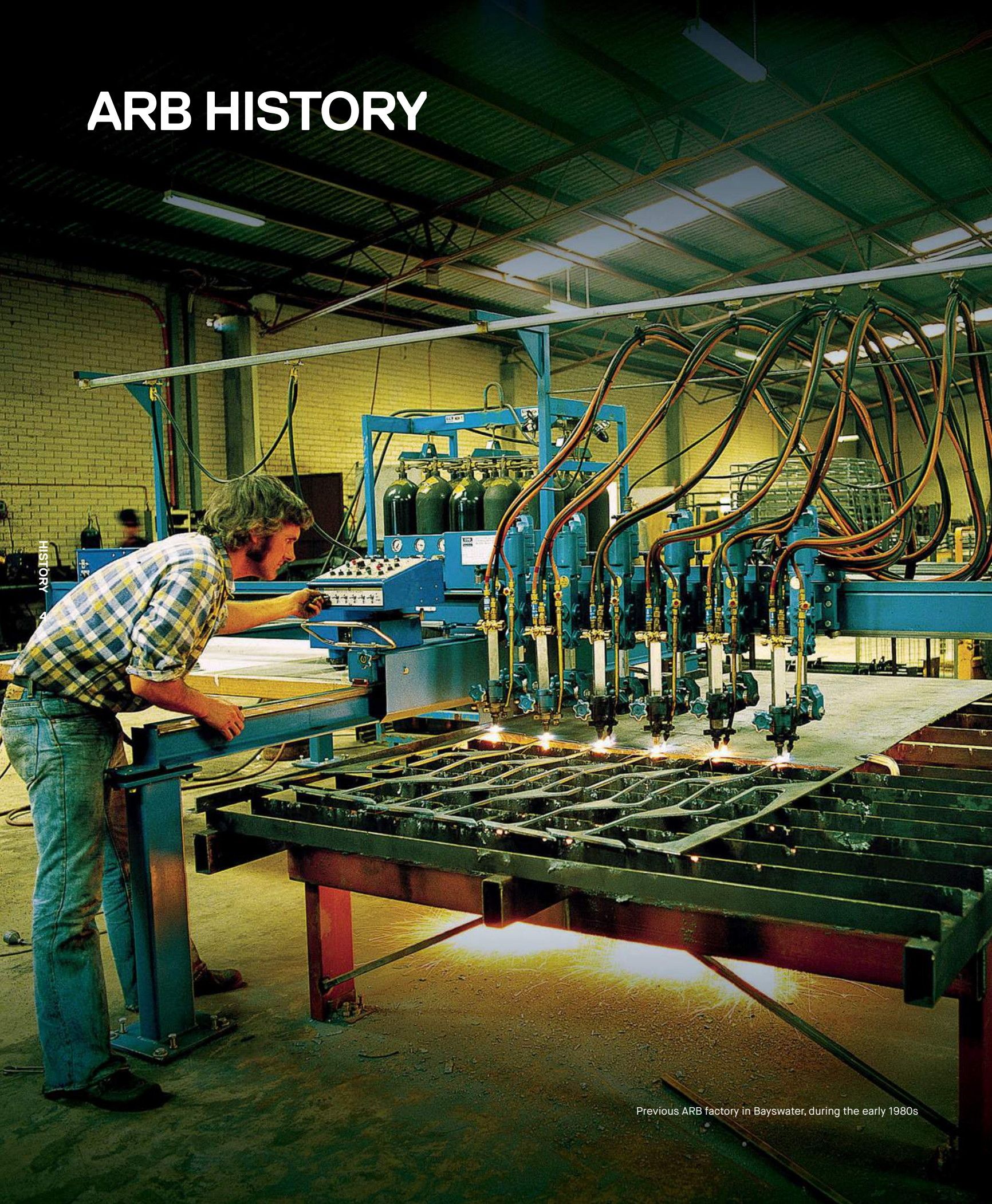
ARB caters for many vehicles, including 4WD station wagons, 4x4 and 4x2 utilities and compact SUVs. This catalogue covers accessories for the most popular models we typically outfit at ARB, but there are many other vehicles we have products for. To see the complete range, please visit www.arb.com.au.



When browsing the catalogue, keep an eye out for the video icon, which indicates that there's a relevant video to view on the ARB website – arb.com.au. Product videos can be found on the main product pages, whilst vehicle specific videos are placed within the customised section of the site.



ARB HISTORY



HISTORY

Previous ARB factory in Bayswater, during the early 1980s

OUR STORY



In 1975, Tony Brown, an experienced 4WDer, headed for Cape York in his Series I Land Rover, but soon found himself spending much of his time helping fellow 4WDers in strife on the trail. If he wasn't mending flimsy roof racks damaged by the heavy loads typical of remote area travel, he was repairing bull bars and various homemade items that had literally fallen apart in the difficult terrain. As Tony's familiarity of these product deficiencies grew, an idea was born – to produce high quality, durable equipment specifically engineered for punishing Outback conditions.

Upon his return to Melbourne, Tony set to work in the family garage. His products were to be based on a combination of reliable raw materials and sound design principles – a straightforward solution to a widespread problem. Starting with his own Series I Land Rover bull bar, Tony began making custom fabricated products that were immediately embraced when they hit the fledgling 4x4 market. At a time when bull bars were inadequate homemade creations, Tony's products showed proven durability and reliability on the track. The phenomenal demand from his fellow 4WDers enabled him to move to a 1000sq ft production facility later that same year, and ARB, the initials of Anthony Ronald Brown, was founded.

Today, ARB is Australasia's largest manufacturer and distributor of 4x4 accessories. What began with custom fabricated bull bars and roof racks has grown to include side rails, rear bars, Old Man Emu suspension, recovery gear, canopies, Air Locker locking differentials and a host of smaller items from air compressors to tyre accessories.

With offices in most major capital cities and over 100 distributors located worldwide, the company is well equipped to address the needs of 4WD enthusiasts globally.

Success has also led to a sizeable international presence, with regional offices in America, Asia,

the Middle East and Europe, as well as an export network reaching across more than 100 countries, from South Africa and Germany to Kazakhstan, Iceland and Mongolia.

ARB has never forgotten its humble beginnings. The harsh conditions of the Australian Outback demand resilient, hard-working equipment, and ARB continues to focus on quality, reliability and practicality above all else. So wherever your journey takes you, you can rely on ARB 4x4 Accessories – your partner in adventure since 1975.

OUR PEOPLE

ARB staff are known for their passion and enthusiasm for off road driving. Many team members were our customers long before they commenced employment with us. The same traits ring true with our distributors – this ensures you receive the same high standard of service from a distributor as you would at one of our own stores.

Product selection is taken very seriously at ARB and we provide our technicians with regular training on product selection and installation, allowing us to maintain exceptionally high standards of workmanship.



ARB Directors John Forsyth, Andrew Brown and Roger Brown.



ENGINEERING

ARB invests substantial amounts of capital into research, design and manufacturing each year. In particular, the ARB engineering department, which is made up of over 50 qualified staff, spends countless hours designing, testing and developing our product range to ensure ARB remains an innovator in the industry.

The process begins with concept designs, renderings, photo imaging and computer modelling, with qualified industrial designers using their industry knowledge



to ensure the project is not only viable but also as functional as possible for the end user.

Engineers then use state of the art equipment to gather as much vehicle specific information as possible. Utilising a Faro arm, engineers can easily perform 3D inspections and dimensional analysis to ensure the final product will fit your vehicle perfectly.

Specialised computer software is used to generate CAD models and perform Finite Element Analysis (FEA).



FEA simulates how the proposed part will react to many different situations, particularly with regard to performance under varying loads and forces, allowing our engineers to eliminate possible faults even before prototypes are created. Extensive field testing is also undertaken with data recorded for use in FEA and further testing.

Once the CAD models are produced and engineering are satisfied with all FEA testing, a Failure Mode and Effect Analysis (FMEA) is performed. This test

considers all of the conditions the product may be exposed to and ensures all aspects of the design comply with these conditions. An FMEA is also performed by our production engineering team to check for any possible faults that may arise during the production phase.

This extensive process is performed on all new fabricated parts and ensures our products consistently meet exceptionally high standards of quality, functionality and safety.



MANUFACTURING

ARB continues to maintain its position as an innovator in the industry by utilising the most modern, state of the art fabrication equipment and machinery. Today's requirements for more complex designs are met by us with one of the most advanced, Computer Numerically Controlled (CNC) sheet fabrication facilities.

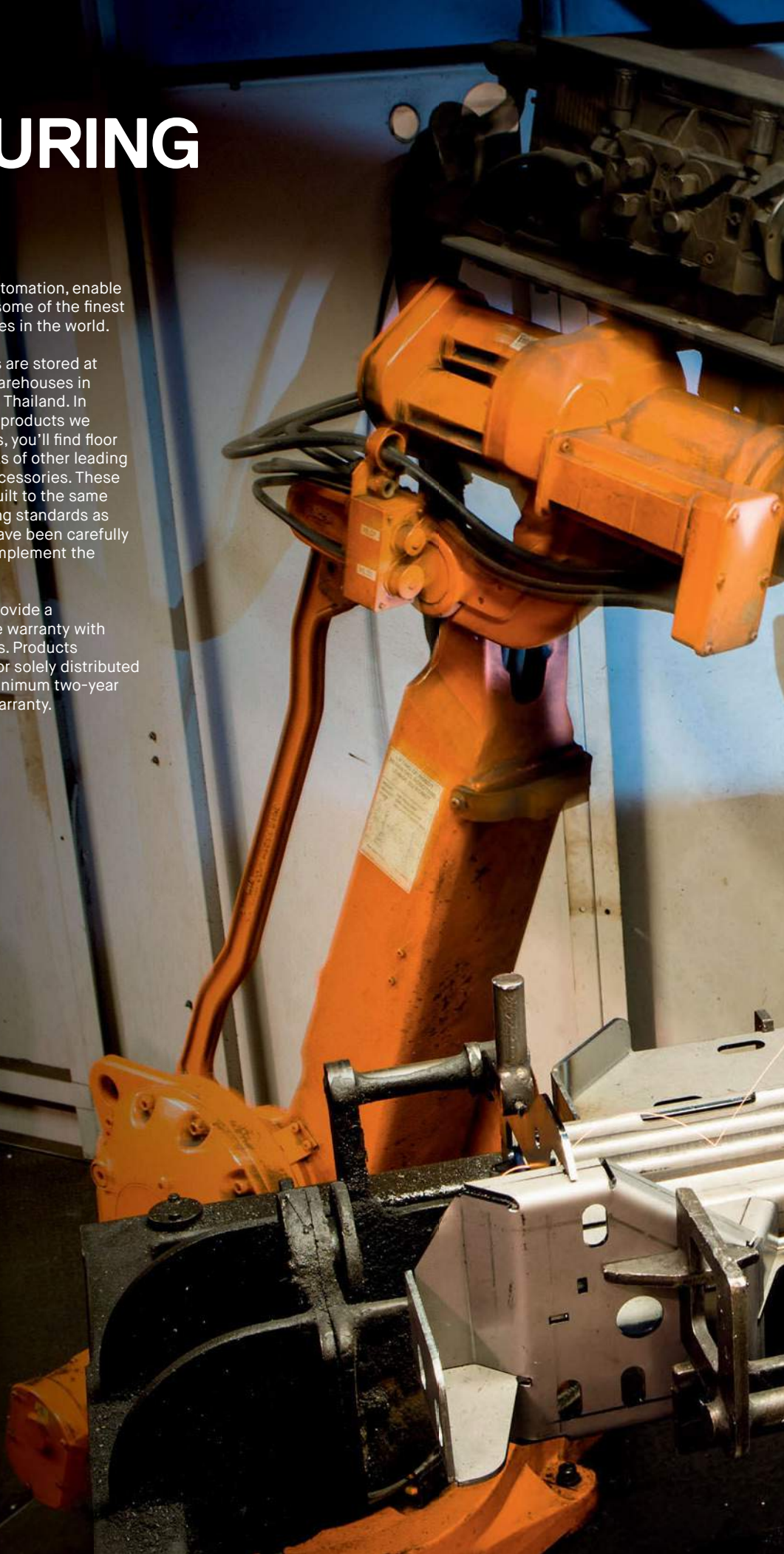
ARB's production facility is equipped with a range of state of the art machinery suited to the manufacture of metal products. Our manufacturing capabilities include laser cutting, guillotining, robot grinding, CNC bending, machining and turning. We're equipped with MIG, TIG, robot and spot welding facilities and also have powder coating and spray painting centres.

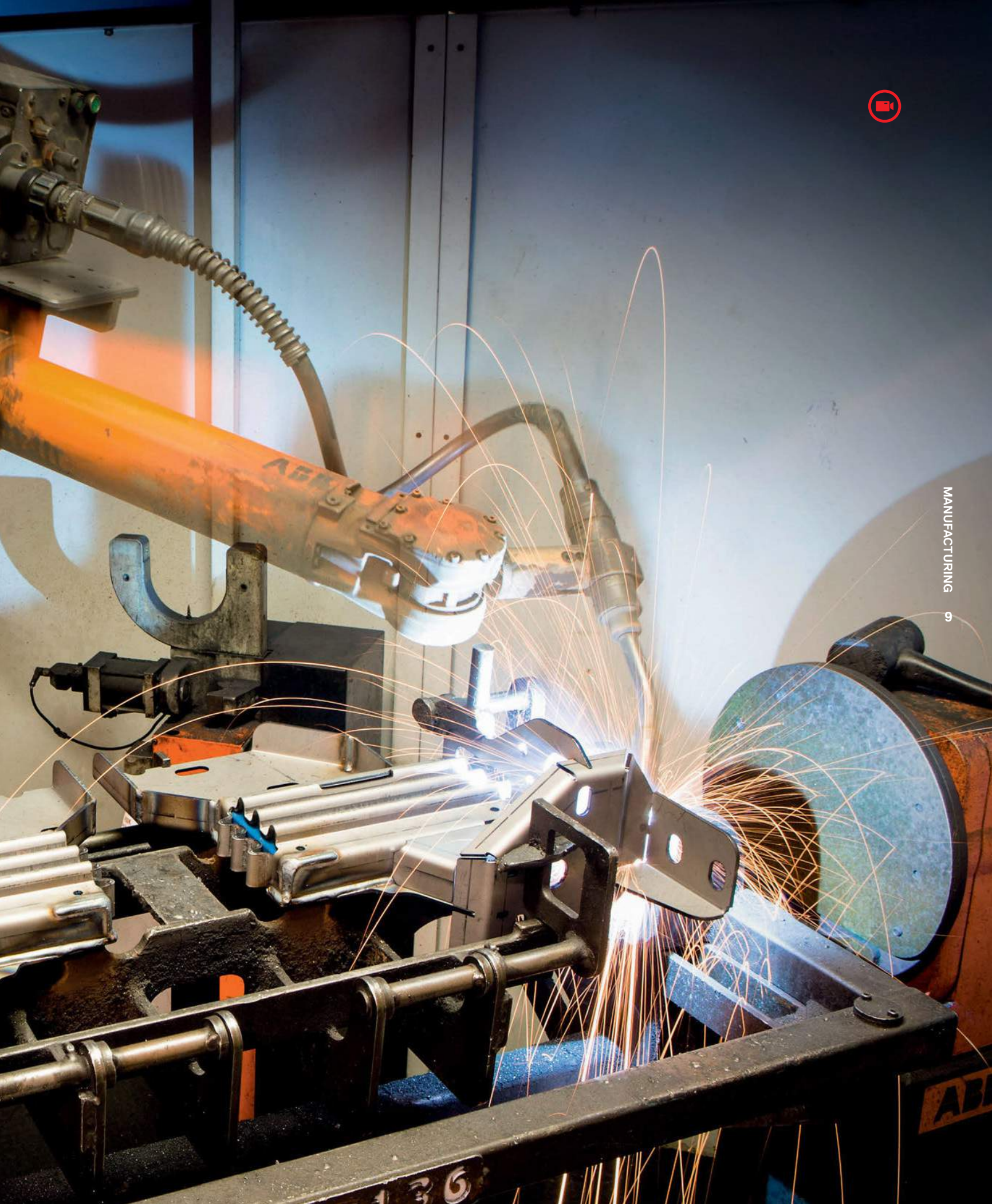
ARB has a very highly skilled and motivated workforce at our manufacturing plants. We have stringent quality and environmental control systems in place, ensuring our exceptionally high standards are maintained. These factors, combined with our

high level of automation, enable us to produce some of the finest 4WD accessories in the world.

Finished goods are stored at ARB's global warehouses in Melbourne and Thailand. In addition to the products we make ourselves, you'll find floor to ceiling stacks of other leading brand name accessories. These products are built to the same uncompromising standards as our own, and have been carefully selected to complement the ARB range.

Naturally, we provide a comprehensive warranty with our accessories. Products manufactured or solely distributed by us have a minimum two-year international warranty.





PROTE

PROTECTION 2



CTION





PROTECTION 21

BULL BAR ENGINEERING & PRODUCTION



YOU SIMPLY WON'T FIND A BETTER QUALITY, MORE THOROUGHLY DESIGNED AND MANUFACTURED PROTECTION SYSTEM THAN AN ARB BULL BAR.



ENGINEERING

Engineering a bull bar requires careful consideration to a number of factors to ensure it properly serves its purpose. Factors such as vehicle design, crush rate, air bag deployment, approach angles, accessory fitment, strength, weight and aesthetics are incorporated into every ARB bar before it enters production.



TESTING

ARB has invested heavily in vehicle crash barrier tests to validate the performance and compliance of our air bag compatible bull bars. To ensure compatibility, ARB assesses each vehicle's frontal crush characteristics and replicates the crush rate in the design of each air bag compatible bull bar and mounting system. Using this method ensures that the vehicle's crush rate and air bag triggering are not altered when a bull bar is installed.



LASER CUTTING

Every bull bar starts off as a flat sheet of steel. The components are cut into shape using ARB's in house laser cutters, which produce highly accurate cuts to within 0.2mm/0.007in, without any heat distortion. This process results in 100% accuracy, which is maintained throughout the entire fabrication of the bar.



METAL FORMING

Using traditional forming in a multi-axis brake press, as well as more advanced press forming where intricate shapes are required, flat sheets of steel are folded to make up each section of the bull bar. Computer Numerically Controlled (CNC) machines are used to ensure maximum accuracy and consistency, while ARB's multi-fold design, used in most of our bull bars, provides optimal strength.



TUBE WORK

ARB's bull bars are manufactured with strong 2.6mm/0.10in wall thickness tubing. The tube is cut to the desired length and bent with a CNC Eagle internal mandrel bender, ensuring consistency and even wall thickness across all sections.



ROBOT WELDING

Subsequent to being folded into shape, each section is welded utilising a robot welder. Robot welders are used for straight-forward, repetitive welding jobs that require speed and accuracy.



ASSEMBLY

When individual components are complete, the bull bar is assembled. All sections – pan, wings, uprights, outer frame and chassis brackets – are placed in a jig and tack welded. This is followed by finish welding for strength and aesthetics.



POST ASSEMBLY

To complete the manufacturing process all ARB bars are shot blasted, before entering a 5 stage chemical wash to prepare the surface for maximum powder adhesion. They're then powder coated and oven baked. This is not only an attractive and durable finish; it provides an excellent base for painting if colour coding is required.



Our flagship frontal protection system, the ARB Summit bull bar is a modern interpretation of the ARB Deluxe bull bar, designed to complement modern day vehicles, as well as providing additional features and strength related characteristics.

Press forming is utilised to produce the centre pan, wing panels and cover straps, while a two piece grille with winch access port, recessed winch cradle and redesigned fog lights and buffers further enhance the style. The larger diameter top tube completes the overall aesthetics.

Practicality hasn't been forgotten, however, with provision for driving lights, CB aerials and a range of electric winches built into the design.

Importantly, the Summit bull bar is designed and engineered with safety in mind and is compatible with a range of modern day safety features.

Also available is the Summit Sahara bar. The Summit Sahara Bar is available with optional polished or painted centre tube, with provisions for CB aerials, the Summit Sahara bar is a modern interpretation of the Deluxe Sahara bar and is available for modern day vehicles.

Summit bars are prepared with a zinc rich primer for additional corrosion resistance and come standard in a black powder coat with the option to colour code to your vehicle.



SUMMIT BULL BAR AND SUMMIT SAHARA BAR



SUMMIT BULL BAR

THE SUMMIT BULL BAR CONTINUES THE ARB TRADITION OF PIONEERING INNOVATION AND OUR RELENTLESS PURSUIT FOR QUALITY.

Summit specific

Press formed top pan and cover panel. Press forming has been utilised to create a stronger centre pan that features smooth, continuous edges.

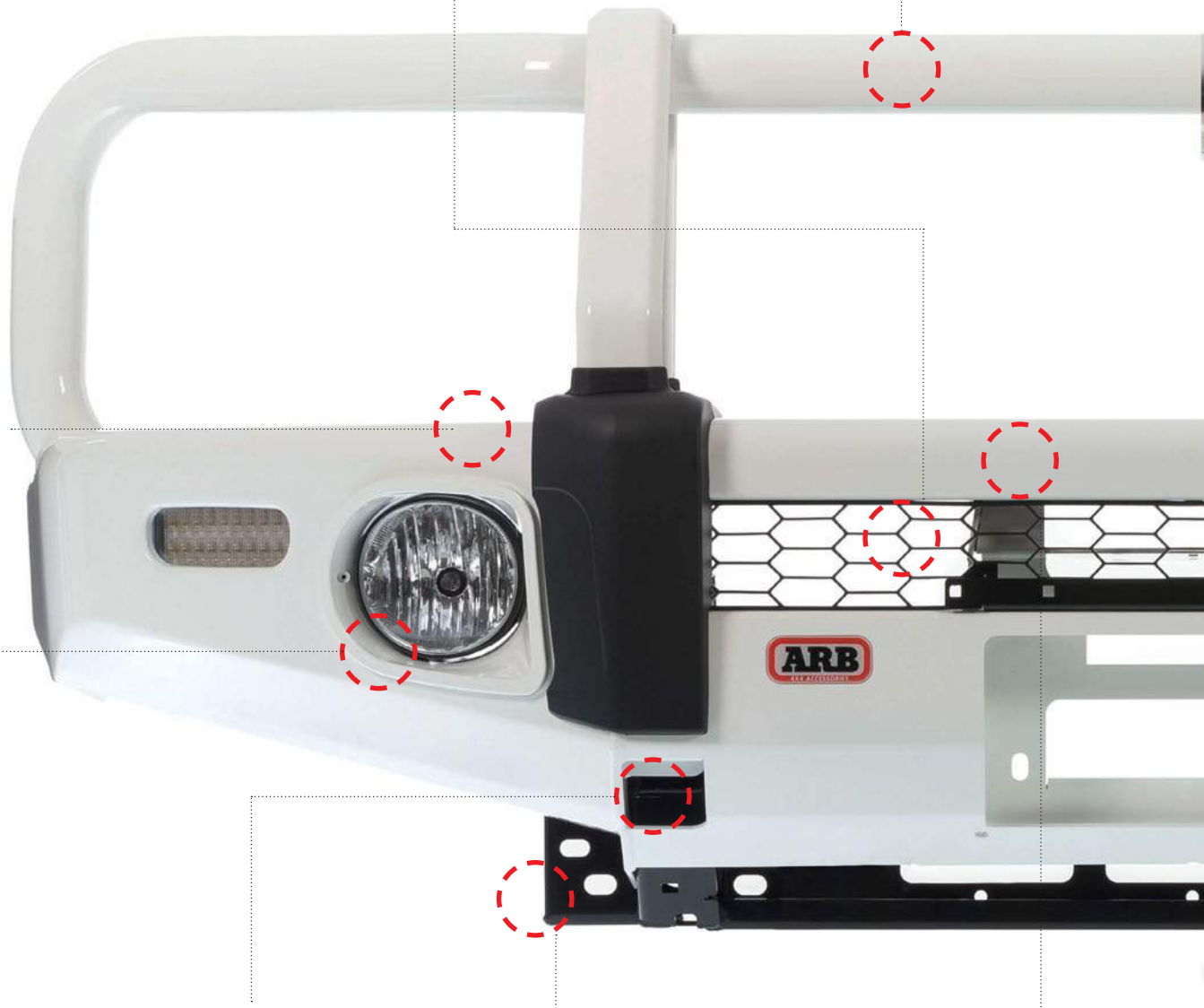
The Summit bar features larger 60.3mm/2.37in mandrel formed steel tubing providing increased frontal protection.

A press formed aluminium winch cover panel finishes off the bar for when a winch is not installed.

From an aesthetic point of view, this offers greater visual styling to modern four wheel drive designs.

The Summit bar has been specifically designed with a wider edge radius.

A 30mm/1.18in wing and centre section edge radius offers increased strength while complementing modern vehicle design.



Perfect for driving in inclement weather, Summit fog lights provide a broad spread of light to illuminate the road ahead.

Fog light surrounds supplied as standard in a natural black finish with colour coding available as an optional extra (shown).

Eliminating the need for a mounting bracket, Hi-Lift jacking points are integrated into the design of most ARB bull bars.

Large, easy to access jack points make vehicle recovery simpler when the bull bar is not parallel to the ground.

The mounting system is the single most important part of any ARB bull bar design.

ARB's mounting systems are specifically engineered to spread impact and winching loads evenly over the vehicle's chassis. This ensures the bull bar functions properly in extreme conditions.

Exceptionally durable and secure, all ARB bars serve as an ideal platform to mount driving lights, helping ensure maximum performance and longevity.

Mounting driving lights to a high quality bull bar prevents problems such as excessive movement, a vibrating beam pattern, premature bulb failure and eventual fatiguing of the light assembly.

Sahara specific

An optional polished or painted centre tube offers a different look to the more traditional bull bar design.

An internal mandrel bender is used to shape the centre tube, ensuring even wall thickness throughout.

Sahara specific

Provisions for CB aerials are incorporated into the centre pan.

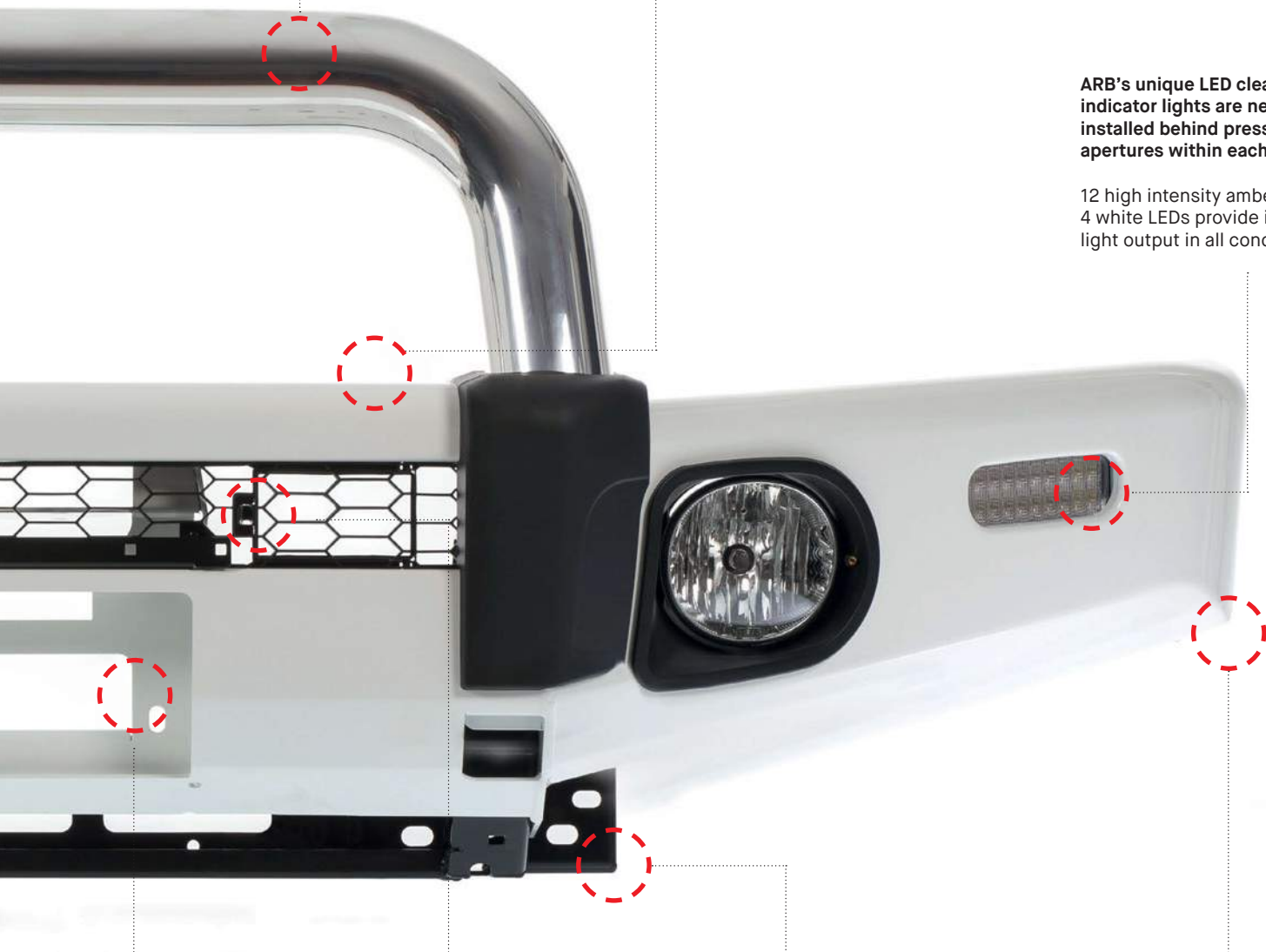
Durable plugs are included for added aesthetics when aerials are not fitted. Additional tabs are included on the centre tube (when fitted).

SUMMIT SAHARA BAR

ARB SUMMIT SAHARA BARS OFFER A UNIQUE LOOK AND PRACTICAL FEATURES FOR BOTH ON AND OFF ROAD.

ARB's unique LED clearance/indicator lights are neatly installed behind press formed apertures within each wing.

12 high intensity amber LEDs and 4 white LEDs provide increased light output in all conditions.



Mounting a winch to a vehicle requires a properly supported structure that is designed to accommodate the stresses of winching.

When using a snatch block to increase winching capacity, the forces are multiplied to several times the rated capacity of the winch. Most ARB bars feature the option of fitting a winch, and all are designed and tested to endure and exceed such loads.

ARB's engineers give careful consideration to maintaining sufficient airflow to the vehicle's radiator.

The wide, split pan design provides greater airflow to the radiator and the two-piece grille incorporates a hinged opening to allow access to the winch clutch handle.

With an air bag equipped vehicle, it is essential that the vehicle's crush rate and air bag triggering are not altered when a bull bar is installed.

ARB assesses each vehicle's frontal crush characteristics and replicates the crush rate into the design of each air bag compatible bull bar and its mounting system. This achieves maximum possible vehicle and passenger protection without affecting the crash pulse.

The furthestmost point from the chassis and often the point of impact in an animal strike, the wing area is by far the most vulnerable.

ARB pioneered the multi-fold upswept and tapered wing design, which provides an enormous amount of strength and maintains an optimum approach angle.

ALLOY BULL BAR

PROTECTION 18





Providing further choice for 4WD owners, the ARB Alloy bull bar seamlessly blends modern aesthetics with proven reliability, incorporating many of the strength related design elements found on the Summit bull bar.

Built around a steel substructure, the Alloy bar utilises ARB's latest press forming technology to provide a lightweight alternative to traditional steel bull bars, without compromising strength or practicality.

Like all ARB bars, the Alloy bull bar is designed to accommodate a range of electric winches, driving lights and CB aerials.



ALLOY BULL BAR

COMBINING A LIGHTWEIGHT DESIGN WITH EXCELLENT CORROSION RESISTANCE, THE ARB ALLOY BULL BAR PROVIDES AN ALTERNATIVE AESTHETIC OPTION FOR CUSTOMERS.

Exceptionally durable and secure, all ARB bars serve as an ideal platform to mount driving lights, helping to ensure maximum performance and longevity.

Driving lights mounted to a high quality bull bar prevents problems such as excessive movement, a vibrating beam pattern, premature bulb failure and eventual fatiguing of the light bodies.



ARB's unique LED clearance/indicator lights are neatly installed behind press formed apertures within each wing.

12 high intensity amber LEDs and 4 white LEDs provide increased light output in all conditions.

Perfect for driving in inclement weather, fog lights provide a broad spread of light to illuminate the road ahead.

Fog light surrounds are supplied in a natural black finish.

With an air bag equipped vehicle, it is essential that the vehicle's crush rate and air bag triggering are not altered when a bull bar is installed.

ARB assesses each vehicle's frontal crush characteristics and replicates the crush rate into the design of each air bag compatible bull bar and its steel mounting system. This achieves maximum possible vehicle and passenger protection without affecting the crash pulse.

The top pan of the Alloy bull bar is press formed.

Press forming not only allows more intricate shapes to be manufactured, it also adds strength to the overall design, in this case, allowing the winch cover panel to be recessed for a more integrated appearance.

The Alloy bull bar incorporates two CB aerial brackets welded behind the top cross tube.

Clamp on brackets are also available for additional antenna mounting.

The use of alloy provides a significant weight saving over steel alternatives.

ARB's industry leading expertise in bull bar design ensure that strength is retained through clever engineering and material specification.



Mounting a winch to a vehicle requires a properly supported structure that is designed to accommodate the stresses of winching.

When using a snatch block to increase winching capacity, the forces are multiplied to several times the rated capacity of the winch. The ARB Alloy bar features an optional steel winch cradle which is designed and tested to endure and exceed such loads.

ARB's engineers give careful consideration to maintaining airflow to the vehicle's radiator.

A split pan design provides optimal airflow to the radiator, while a hinged opening allows access to a winch clutch lever.

Just like steel, alloy comes in different specifications and resultant strengths.

Three different alloys are used to create the Alloy bull bar, with specific grades selected to provide excellent corrosion resistance and optimal strength.

The wing area is the furthestmost point from the chassis and often the point of impact in an animal strike.

ARB pioneered the multi-fold upswept tapered wing design, which provides an enormous amount of strength and maintains an optimum approach angle.

DELUXE BULL BAR



ARB's Deluxe bull bar has stood the test of time, renowned for its strength and practicality. With bull bar and winch bar options available for most vehicles manufactured prior to 2015, the Deluxe bar is loaded with features to make remote area travel safer, whilst providing a solid base on which to add other touring essentials such as driving lights, winches and CB antennas.

The extensive range of features includes an all steel construction, split pan design to facilitate airflow, fully engineered mounting system and compatibility with modern vehicle safety features such as collision avoidance systems, parking sensors and adaptive cruise control.



DELUXE SAHARA BAR



Sharing many of the strength related features of a Deluxe bull bar and similar in design to the Summit Sahara bar, ARB's Deluxe Sahara bar design is available for most vehicles manufactured prior to 2015 and offers a different style without sacrificing practicality.

Like the Deluxe bull bar, the Sahara bar features ARB's multi-fold upswept and tapered wing profile, as well as providing a solid platform on which to mount accessories such as winches, driving lights and CB antennas.

Available either with or without a polished or painted centre tube, the Sahara bar offers owners greater flexibility in creating their desired look.



COMMERCIAL BULL BAR



ARB Commercial bull bars are a cost effective alternative to Deluxe and Summit bull bars, and offer a comparable level of vehicle protection.



Incorporating many of the strength related features ARB bars are renowned for, Commercial bars provide considerable frontal protection but achieve cost savings through simplified manufacturing processes such as the elimination of weld grinding and features such as urethane buffers.

SMARTBAR



Utilising advanced design capabilities and a hollow polyethylene construction, the innovative SmartBar has been developed to provide users with an excellent vehicle protection option, without a significant increase in gross vehicle mass.

Manufactured from a specifically designed and engineered co-polymer, the SmartBar is a lighter alternative to the conventional metal bull bar, which offers long term positive effects on fuel consumption, along with reduced wear and tear on tyres and suspension components.

Most importantly, the single body, hollow polymer construction used to achieve the weight saving benefits, does so without compromising protection for your vehicle.



The low density polyethylene material has outstanding impact absorbing characteristics and every SmartBar meets the Australian Standards for user and pedestrian safety. This has been achieved through rigorous testing, conducted at the Centre for Automotive Safety Research (CASR) and by other internationally recognised independent automotive safety engineering experts.

Available to suit a number of top selling 4x4, SUV and utility vehicles, SmartBars are proudly made in Australia and available to order through a network of authorised ARB distributors globally. They're easy to install, air bag compatible, are available in both winch and non-winch variants, come supplied with two aerial points, durable LED parker/indicator lights and have mounting provision for driving and fog lights.



UNDER VEHICLE PROTECTION





When travelling off road, the underbody of your 4WD is one of the areas that is most susceptible to damage.

ARB's Under Vehicle Protection (UVP) provides a robust solution increasing protection to minimise the risk of damage to most vital components of your vehicle drivetrain.

Manufactured from laser cut, pressed and folded 3mm steel, ARB's under vehicle protection systems are engineered to shield vulnerable under body components (such as the steering, sump, transmission and transfer case) from off road debris. Each vehicle specific set includes protection panels that are directly bolted onto the chassis to provide protection from the ARB bull bar (if fitted) to the transfer case. The range has also been designed for practicality, with owners able to remove the panels prior to vehicle servicing.



SIDE PROTECTION

ARB'S SIDE PROTECTION RANGE GUARDS YOUR VEHICLE'S LOWER PANELS FROM ROCKS AND ROAD DEBRIS ENCOUNTERED IN REMOTE AREA TRAVEL.



SUMMIT SIDE RAILS AND STEPS

Summit side rails and protection steps offer an all new attachment system, larger steel tubing and anodised aluminium tread plate encompassing the very best in side protection. Manufactured from 60.3mm/2.37in tubular steel for added strength and durability, they come complete with a tough nylon cover sleeve to provide an integrated look between the bull bar and side rail.



DELUXE SIDE RAILS & STEPS

Manufactured from steel tubing and aluminium tread plate, ARB side rails and steps provide outstanding protection to lower panels from road debris and obstacles. Fully compatible with side air bags, the system does not interfere in any way with your vehicle's safety systems. It is solidly mounted to the chassis, won't affect Safari snorkel fitment and aids entry to the vehicle and access to the roof.

SIDE RAILS

Protecting front quarter panels, ARB side rails are available as a stand alone accessory and have been specifically designed to work in conjunction with ARB Deluxe bull bars and the vehicle's original equipment side steps.



PROTECTION STEPS

Offering improved access and a reduction in stone chips caused by road debris, ARB protection steps act as a strong barrier between your vehicle and ledges encountered in off road driving, and are far less likely to sustain damage than most factory alternatives. Protection steps are available in Deluxe and Summit styles.

ROCK SLIDERS

Engineered to take the weight of your vehicle and designed to protect door sills from rocks, logs and ruts, ARB rock sliders are manufactured from tough, tubular steel, making them ideal for use in challenging terrain.



DELUXE PROTECTION STEPS

ARB Deluxe protection steps utilise innovative, modern styling, and feature extruded alloy steel step sections that incorporate non-slip, moulded urethane step pads.

SUMMIT REAR STEP TOW BAR

ARB SUMMIT REAR STEP TOW BARS COMBINE THE PROTECTION OF A REAR BAR WITH THE PRACTICALITY OF A FULLY FEATURED TOWING SYSTEM.

A high traction anodised tread panel allows safe access to the vehicle tub or roof.

Replacing the familiar aluminium checker plate traditionally found on ARB rear step tow bars is a new silver anodised extruded aluminium section with ridges for grip. Additionally, an integrated licence plate light is included if the factory light cannot be used.

PROTECTION 30



During off road driving, the rear tub corners on utility vehicles are quite vulnerable to damage.

The Summit rear step tow bar features replaceable, press formed steel wing panels that utilise three mounting points to the chassis for optimum strength and rigidity. Wing panels come standard in a black powder coat finish and can be colour coded for additional vehicle integration.

Additional to the protection characteristics of the bar are steel diffuser panels.

Press formed from 1.6mm/0.06in steel, and powder coated for corrosion resistance, the rear diffuser panels aid in protecting the underside of your 4WD when off road.

A multipurpose, heavy duty hitch receiver can accommodate a tow hitch or a rated recovery hitch.

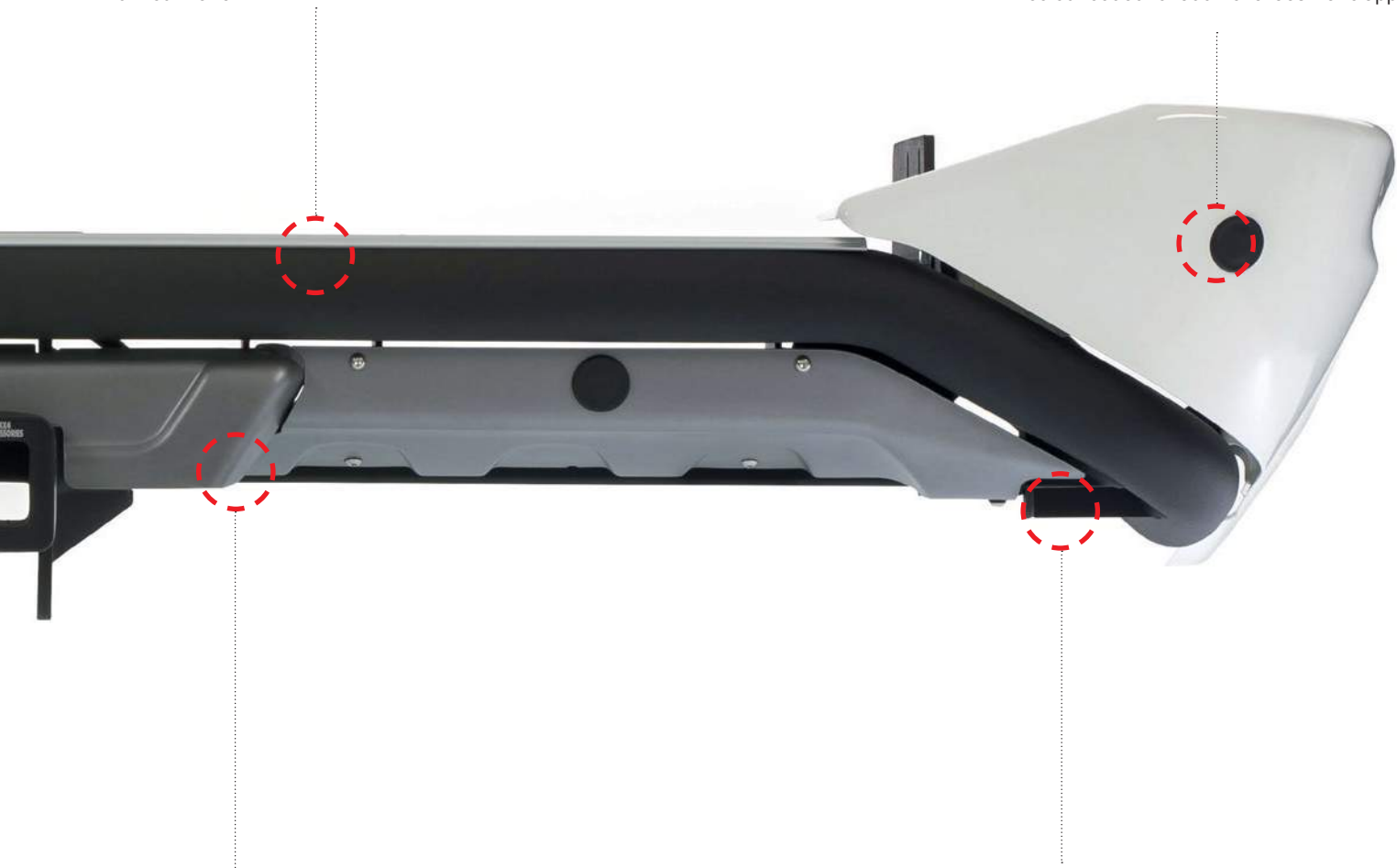
Central to the practicality of the Summit rear step tow bar is the integrated heavy duty towing system, featuring a 3.5t Class 4 50mm/1.96in hitch receiver as a standard fitment.

With protection being a major consideration in the design, Summit rear step tow bars are engineered to withstand extreme terrain.

The bar is built around a 60.3mm/2.37in x 2.6mm/0.10in tubular steel subframe, with multiple chassis mounting points, designed to provide maximum clearance, minimising the chance of contact with the ground over difficult terrain.

Suitable for vehicles with or without rear parking sensors.

Compatibility with modern vehicle safety systems was an imperative concern for ARB engineers when designing the bar. As such, Summit rear step tow bars are available for vehicles both with and without factory rear parking sensors. Sensor surrounds can be colour coded for additional aesthetic appeal.



Practicality is delivered in spades with a multitude of connections available to make towing easier and safer.

Tucked away safely behind a hinged steel access panel is the provision for securely mounting trailer plug wiring, as well as an optional ARB air compressor outlet, ARB trailer camera wiring connection and a 50 amp Anderson plug.

Hi-Lift jacking points offer versatility when recovering your 4WD.

Due to the strength of the steel frame and mounting system, ARB engineers have been able to incorporate four Hi-Lift jacking points. One underneath each wing panel and one on either side of the rear diffuser panel.

REAR PROTECTION



AN ARB REAR PROTECTION SYSTEM DELIVERS AN ENORMOUS AMOUNT OF STRENGTH AND VERSATILITY.



SUMMIT REAR STEP TOW BAR

The Summit rear step tow bar combines class leading design, proven ARB engineering and a no compromise approach to protection and performance. Built around a tubular steel subframe that is finished in a textured black powder coat, the Summit rear bar includes an integrated tow hitch, provisions for an ARB air compressor, trailer camera wiring, 50 amp Anderson plug and trailer plug wiring.

Available in two models for vehicles with or without parking sensors, and four easily accessible Hi-Lift jack points, the Summit rear bar is ready for the most demanding off road use.

ADDITIONAL FEATURES

- 3.5t Class 4, 50mm/1.96in tow hitch
- Available in two models for vehicles with or without parking sensors
- 2.5mm/0.09in press formed steel wing panels
- Side wing panels can be colour coded to suit vehicle (supplied in a black powder coat)
- 60.3mm/2.37in x 2.6mm/0.10in steel tube frame
- Anodised aluminium top tread plate
- Narva LED licence plate light (with moulded bezel on some models)
- Replaceable 2mm/0.07in zinc plated stone guards to reduce damage to the inner rear face of vehicle beaver panel (vehicle dependent)



REAR BAR & WHEEL CARRIER

4WDs with the spare tyre mounted on the back door can suffer from unnecessary door assembly stress, while a spare wheel located underneath a vehicle can be difficult to access, prone to damage and may affect ground clearance when driving off road. Both of these mounting methods can also prove unsuitable if a larger tyre size is sought.

ARB's range of rear bars, incorporating wheel carriers and jerry can holders, addresses all of these issues, relocating the spare tyre onto the bumper assembly via a swing out carrier.

In most cases, the rear bar will accommodate up to two 33" tyres or a 35" tyre and jerry can holder on gas strut carriers. Owners are able to select which side of the rear bar to fit the tyre/jerry can carrier for added flexibility.

Also featuring a heavy duty towing system (most models), the rear protection system incorporates Hi-Lift jacking points, replaceable wing sections and a multi fit spare wheel stud system which provides flexibility for alternative rim selection.

Provision to mount an optional HF aerial bracket and camp light are included in the design, while all rear bars feature an extruded alloy step section.



REAR BAR

Manufactured from steel for maximum strength, the rear bar (shown here with optional accessories) features a centre recess for various size tyres on the factory door-mounted tyre carrier (relevant models).

Incorporated into the recess is low slip tread to facilitate easy access to both the roof and interior of the vehicle, while the vehicle specific design ensures excellent ground clearance and departure angles.



REAR STEP TOW BAR

ARB's rear step tow bars for utility vehicles combine an integrated, heavy duty towing system with a massive amount of protection for vulnerable rear panels.

Using an extremely strong, vehicle specific mounting system, the rear step tow bar will withstand immense off road punishment.

Like all ARB protection equipment, the product is finished in a durable powder coat, which doubles as an excellent base for colour coding.

RECO



VERY



ELECTRIC WINCHES



WHEN YOUR VEHICLE IS STUCK ON A STEEP MOUNTAIN TRACK, SILLS DEEP IN MUD OR BOGGED IN AN ISOLATED DESERT, THE RELIABILITY, PERFORMANCE AND DURABILITY OF YOUR ELECTRIC WINCH IS PARAMOUNT.

Whether you need a durable, value for money winch or a state of the art, expedition grade model, ARB offers a range of electric winches to suit both your budget and vehicle recovery requirements.

When choosing a winch, consideration should be given to the weight of the vehicle and the expected usage. As a general rule, the capacity of the winch should be at least one and a half times the weight of the vehicle.

Attention should be paid to the wire rope retrieval speed. Once a bogged vehicle is initially extracted and momentum gained, the load on

the winch drops significantly. In these situations, fast wire rope recovery speed is essential. It allows the vehicle to be driven and winched at the same time, whilst ensuring the wire rope can be quickly wound back onto the drum once the exercise is completed.

The awesome pulling power of an electric winch requires a suitable mounting system. ARB manufactures vehicle specific winch bull bars that are designed to accommodate a range of electric winches. These winch bars are tested to ensure they withstand loads far greater than the capacity of the winches themselves.

BUSHRANGER

WITH LOW AMP DRAW, PREMIUM CONSTRUCTION AND A THERMAL OVERLOAD SENSOR, BUSHRANGER WINCHES COMBINE VALUE FOR MONEY WITH RELIABLE PERFORMANCE IN ANY TERRAIN.



DV-9TH



Specifications

Part number	DV-9TH
Max load (single line)	4,082kgs (9,000lbs)
Motor	4.6hp, series wound
Control	Remote switch, 5m lead
Gear train	3 stage planetary
Gear ratio	156:1
Clutch (freespooling)	Rotating ring gear
Cable	30.5m x 8.3mm dia.
Brake	Automatic, full cone brake
Dimensions	L60cm x D15.9cm x H18cm
Drum diameter/length	6.3cm x 22.9cm
Weight	47kgs

Performance Specifications

1st Layer of Drum		Pull by Layer		
Load (Kgs)	Line Speed (M/Min)	Motor Current (Amps)	Layer	Kgs
0	13.4	55	1	4082
907	4.6	110	2	3316
1814	3.4	200	3	2792
2722	2.7	230	4	2410
3629	2.3	260		
4082	2.0	350		

SEAL 9.5TH



Specifications

Part number	SEAL-9.5TH
Max load (single line)	4,309kgs (9,500lbs)
Motor	5hp, series wound
Control	Remote switch, 5m lead
Gear train	3 stage planetary
Gear ratio	159:1
Clutch (freespooling)	Rotating ring gear
Cable	30.5m x 10mm dia.
Brake	Automatic, full cone brake
Dimensions	L60cm x D15.9cm x H19.4cm
Drum diameter/length	6.35cm x 22.8cm
Weight	40.5kgs

Performance Specifications

1st Layer of Drum		Pull by Layer		
Load (Kgs)	Line Speed (M/Min)	Motor Current (Amps)	Layer	Kgs
0	19	60	1	4309
907	4.7	115	2	3472
1814	3.5	210	3	2908
2722	2.8	245	4	2501
3629	2.3	280		
4309	2.1	380		

DV-12TH



Specifications

Part number	DV-12TH
Max load (single line)	5,443kgs (12,000lbs)
Motor	5.6hp, series wound
Control	Remote switch, 5m lead
Gear train	3 stage planetary
Gear ratio	261:1
Clutch (freespooling)	Rotating ring gear
Cable	38.1m x 9.5mm dia.
Brake	Automatic, full cone brake
Dimensions	L66cm x D21.5cm x H23cm
Drum diameter/length	8.9cm x 20.6cm
Weight	67kgs

Performance Specifications

1st Layer of Drum		Pull by Layer		
Load (Kgs)	Line Speed (M/Min)	Motor Current (Amps)	Layer	Kgs
0	6.9	60	1	5443
1814	1.6	180	2	4563
3629	1.2	280	3	3928
4536	1.0	330	4	3448
5443	0.9	385	5	3072

KITS, STRAPS & BAGS



ARB'S RECOVERY RANGE IS DESIGNED TO HANDLE ANY RECOVERY SITUATION. ENGINEERED AND MANUFACTURED TO THE HIGHEST STANDARDS, OUR RECOVERY GEAR IS IDEAL FOR RECREATIONAL USE AS WELL AS COMPETITION.

RECOVERY KITS

ARB recovery kits come in a number of configurations, combining a selection of essential recovery items, conveniently packaged in a handy storage bag.



PREMIUM RECOVERY KIT

- 8,000kg/17,600lb snatch strap
- 4,500kg/9,900lb winch extension strap
- 12,000kg/26,500lb tree trunk protector
- 9,000kg/20,000lb snatch block
- Recovery damper
- Winch pack storage bag
- Two 4.75 Tonne/10,471lb bow shackles
- Recovery gloves

ESSENTIALS RECOVERY KIT

- 8,000kg/17,600lb snatch strap
- 12,000kg/26,500lb tree trunk protector
- 9,000kg/20,000lb snatch block
- Snatch pack storage bag
- Two 4.75 Tonne/10,471lb bow shackles

WEEKENDER RECOVERY KIT

- 8,000kg/17,600lb snatch strap
- Two 4.75 Tonne/10,471lb bow shackles

RECOVERY STRAPS



SNATCH STRAPS

ARB snatch straps are designed to stretch and return to their original length, aiding recovery and greatly reducing the likelihood of vehicle damage. The 8,000kg/17,600lb model is recommended for most 4WD vehicles, with the 11,000kg/24,000lb and 15,000kg/33,000lb straps better suited to heavier applications.

Specifications

	ARB705	ARB710	ARB715
Part number	ARB705	ARB710	ARB715
Min. breaking strength	8,000kg/ 17,600lb	11,000kg/ 24,000lb	15,000kg/ 33,000lb
Length	9m/30ft	9m/30ft	9m/30ft
Width	60mm/2.36in	80mm/3.14in	110mm/4.33in
Stretch (genuine)	20%	20%	20%
Material	100% nylon	100% nylon	100% nylon
Reinforced eyes	yes	yes	yes
Eye & seam protector sleeves	yes	yes	yes



WINCH EXTENSION STRAPS

Manufactured from durable polyester material, the ARB winch extension strap is the ideal way to extend the length of your winch's cable when a suitable anchor point is out of reach.

Specifications

	ARB720	ARB725
Part number	ARB720	ARB725
Min. breaking strength	4,500kg/9,900lb	8,000kg/17,600lb
Length	20m/66ft	20m/66ft
Width	55mm/2.16in	80mm/3.14in
Material	100% polyester	100% polyester
Reinforced eyes	yes	yes
Eye & seam protector sleeves	yes	yes



TREE TRUNK PROTECTORS

ARB's tree trunk protector features 80mm wide webbing which eliminates damage to both your equipment and the tree, and helps to ensure safe vehicle recovery.

Specifications

	ARB730	ARB735
Part number	ARB730	ARB735
Min. breaking strength	12,000kg/26,500lb	12,000kg/26,500lb
Length	3m/10ft	5m/16.40ft
Width	80mm/3.14in	80mm/3.14in
Material	100% polyester	100% polyester
Reinforced eyes	yes	yes
Eye & seam protector sleeves	yes	yes

BAGS

WINCH PACK

ARB's winch pack is designed to fit a complete recovery kit, including a snatch strap, tree trunk protector, winch extension strap, snatch block, recovery strap, damper, bow shackles and gloves.



SNATCH PACK

The snatch pack is a multi-purpose bag that will suit a variety of equipment, from recovery gear to camping supplies.



COMPACT BAGS

Small enough to fit under or behind a car seat or in the back of a drawer system, the compact bag is available in two sizes and designed to carry a single strap and shackles.



MICRO BAG

ARB's micro bag is perfect for smaller items such as a drag chain, shackles, snatch block and general recovery items.



SNATCH BLOCKS



An ARB snatch block greatly increases the capabilities of either a vehicle mounted or portable winch by doubling the winch's capacity and halving the load. Manufactured from press formed steel with solid billet or polymer pulley (model specific), ARB snatch blocks are cleverly designed to eliminate the possibility of the winch cable becoming trapped between the pulley and the side plates. Featuring a tapered centre groove that minimises lateral cable movement, the ARB snatch block allows for a variety of cable sizes and winching from various angles when straight ahead isn't the best option.

Specifications

Part number	ARB209	10100020
Working load	7,000kg/15,400lb	9,000kg/19,800lb
Breaking strength	14,500kg/31,900lb	17,500kg/38,500lb
Side plate material	5mm/0.19in cold rolled steel	6mm/0.23in cold rolled steel
Pulley material	solid billet steel	specialised polymer
Pulley diameter	93mm/3.66in	110mm/4.33in
Cable size	6-12mm/0.23-0.47in	8-13mm/0.31-0.51in
Weight	3.5kg/7.71lb	2.4kg/5.29lb
Greasable	yes	not required

RECOVERY POINTS



Manufactured from steel plate, ARB's vehicle specific recovery point range offers a safe and secure snatch point during vehicle recovery. All ARB recovery points are specifically rated for use with a 4.75 Tonne/10,471lb bow shackle and 8,000kg/17,600lb snatch strap, eliminating the guesswork involved in snatch strap selection. As a result of extensive research and design involving actual chassis samples and CAD data, all ARB recovery points feature vehicle specific mounting systems and are engineered to ensure fitment does not adversely affect air bag deployment.

Features

- Vehicle specific design
- Air bag compatible
- Rated for use with a 4.75 Tonne/10,471lb bow shackle and 8,000kg/17,600lb snatch strap
- Rated to handle an angled pull, up to the maximum turn angle of the vehicle's front wheels
- Suitable for use as a winching point
- Manufactured from steel plate
- Durable powder coat finish
- Engineered and manufactured in Australia

RECOVERY ESSENTIALS



RECOVERY DAMPER

In the unlikely event of a wire rope or strap failure, the recovery damper will absorb most of the energy in the cable or strap, thereby significantly reducing the recoil.

ARB's recovery damper is manufactured from heavy duty vinyl and features storage pockets which come in handy for carrying snatch blocks and shackles when walking from your 4WD to an anchor point.

As recovery dampers are now mandatory accessories for most 4WD competitions, the ARB damper exceeds minimum competition weight requirements.

GROUND ANCHOR

Without suitable anchor points in environments such as deserts or alpine regions, a winch's ability to retrieve a vehicle is severely compromised. For this reason, a ground anchor is a worthwhile addition to your recovery kit.



ARB stocks the Portable Rescue Tree ground anchor, designed for use in softer ground such as soil, sand and mud. Weighing just 14kg/30lb, it can be easily transported and folds away neatly for storage.



HAND WINCH

For heavy duty recovery work, a mechanical hand winch is a cost effective alternative to a vehicle mounted winch. Exclusive to ARB, the Magnum hand winch uses a system whereby wire rope is pulled through the unit, propelled by two interlocking jaws. The jaws pull the cable when in the forward winching mode and also act as an automatic brake. The jaws are self locking with grip pressure increasing as the load becomes greater.

Features

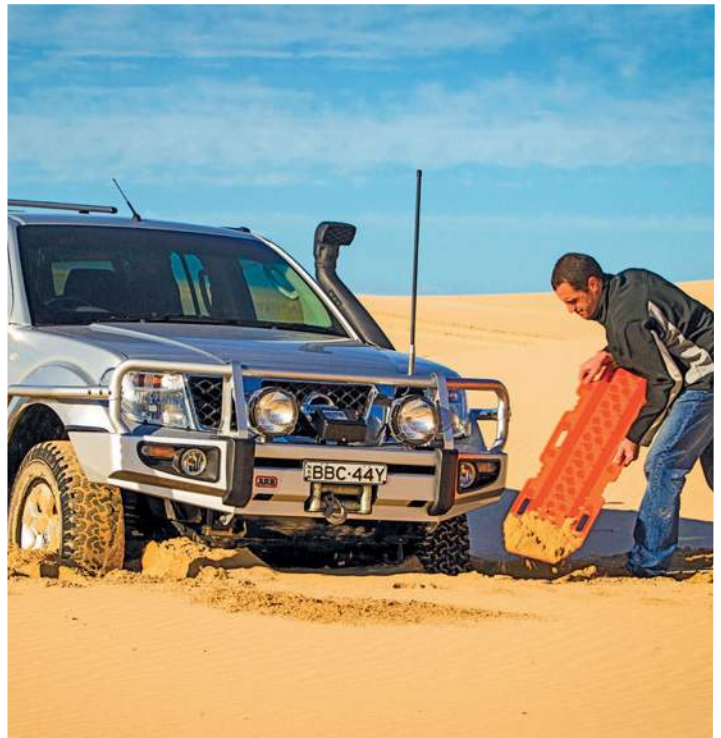
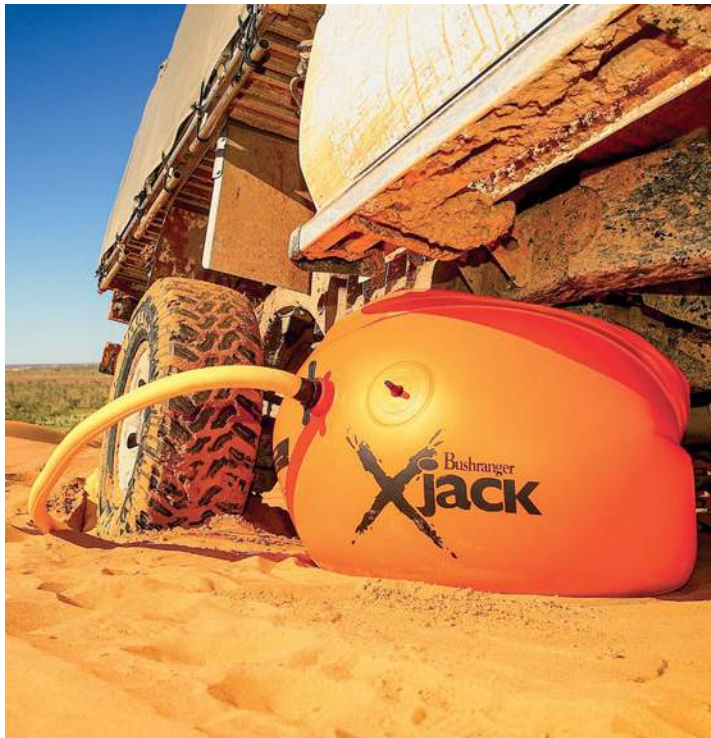
- Outstanding reliability for less cost than a comparable electric winch
- Lifting capacity of 1,600kg/3,527lb
- Pulling capacity of 2,400kg/5,291lb
- Compact and lightweight
- Built using quality steel and aluminium components
- Attaches to your vehicle from any side (where suitable recovery points are available)
- Optional durable carry bag available

Part number	MHWU/MHWTH/MHWRR
Pulling capacity	2,400kg/5,290lb
Rated lifting capacity	1,600kg/3,500lb
Unit dimensions	L54.5cm x D9.7cm x H28cm L21.45in x D3.81in x H11in
Cable length	20m/65.61ft
Cable diameter	11mm/0.43in
Handle length closed	800mm/31.49in
Handle length extended	1,200mm/47.24in



SYNTHETIC ROPE

ARB stocks Dynamica and Spydura ropes which are popular alternatives to wire cable due to their strength and lightweight properties. Able to be repaired in the field, synthetic winch rope is very flexible, floats in water and is available in a variety of lengths and thicknesses.



EXHAUST JACK

With a lifting capacity of 4,000kg/8,810lb, the X-Jack provides up to 75cm/29.52in of vehicle lift and is inflated via a high temperature hose that connects to the engine's tailpipe.

Features

- Provides up to 75cm/29.52in of lift
- 4,000kg/8,810lb lifting capacity
- Wide footprint to avoid sinking in unstable areas of mud, snow and sand
- Triangular shaped feet keep unit firmly grounded
- Triple layer top and hard core insert for added protection
- Unique two-way inflation system
- Can be used with vehicle exhaust or portable compressor
- Collapses flat for convenient storage

RECOVERY TRACKS

Recovery tracks grip to the tyre tread and the terrain under your vehicle to prevent it from slipping back into whatever prevented forward movement. ARB stocks two popular varieties of recovery tracks which are suitable for use in sand, mud and snow. MAXTRAX are made using UV stable, flexible engineering-grade reinforced nylon, with each track weighing less than 4kg/8.81lb. XTRAX II are made from heavy duty rubber with galvanised steel cables and fittings, and come in a quick release, robust carry bag.



RECOVERY ITEMS

To complete our range of recovery equipment, ARB stocks many other useful items. These include drag chains, rated shackles, tow hooks and gloves.



OLD MAN

OLD MAN EMU
44



AN EMU



OLD MAN EMU 4X4 SUSPENSION



WHY UPGRADE YOUR SUSPENSION?

A very common question asked by 4WD owners is, "Why would I upgrade the suspension on my brand new 4WD?"

From the factory, most new 4WD vehicles are tuned for comfort during on road driving. Once weight is added, in the form of accessories and cargo, and road conditions deteriorate, performance and reliability suffer.

Quality, application specific aftermarket suspension is designed to increase load carrying capability and improve both vehicle handling and comfort across all terrains, whilst providing increased ground clearance to better tackle more challenging conditions. Unlike some other accessories, you'll notice the benefits of a new suspension system every time you drive your vehicle.

WHY OLD MAN EMU?

Suspension systems, especially when referring to 4WDs, are extremely complex. Determining the right solution for each 4WD requires special attention to many factors, with weight being the most critical. Old Man Emu 4x4 suspension by ARB approaches this in a unique way.

Instead of offering a compilation of parts that have been chosen primarily to increase the vehicle's ride height, OME 4x4 suspension provides a range of tuned, matched and integrated systems, each offering optimum levels of comfort, load carrying capability and control characteristics. Part of this process involves tailoring the shock absorber valving to work with the different springs in our range, often resulting in two or three shock absorber part numbers being available for an individual vehicle.

The complete Old Man Emu suspension range incorporates more than just 4x4 shock absorbers and springs. At ARB, we take integration to the highest level with our own selection of bushes, U bolts, centre bolts, spring liners, trim packers and suspension fitting kits.



DEVELOPMENT AND SAFETY

Old Man Emu development work has an unrelenting, no compromise approach, with ARB employing a team of full time Ride Control Engineers to carry out an exhaustive testing and development program on each component in an Old Man Emu suspension system.

Utilising a long list of sophisticated test equipment including MoTeC data acquisition, Finite Element Analysis (FEA) programs, spring and shock dynamometers, and Solidworks design and analysis programs, Old Man Emu engineers leave no stone unturned in order to deliver the ultimate in comfort, control and reliability.

During development, each new Old Man Emu suspension system is tested not only for practical performance, but also to ensure compatibility with modern vehicle safety features such as Electronic Stability Control, an area in which ARB has invested heavily.

SALES AND SERVICE

Old Man Emu products are exported to over 100 countries worldwide. Installers receive regular training on product selection and installation, ensuring they are kept fully up to date with technical information associated with OME's extensive product range. Furthermore, each authorised dealer is required to have access to a fully equipped workshop with properly trained and qualified personnel.

Backed by a 3 year/60,000km warranty and a 500km suspension check shortly after fitment, Old Man Emu delivers aftersales service that is unmatched by any other suspension company.

BP-51 HIGH PERFORMANCE BYPASS SHOCK ABSORBERS



The new BP-51 range of high performance, bypass shock absorbers is the result of an exhaustive development process aimed at delivering the ultimate in both comfort and control.

Designed, developed and tested entirely in-house by ARB's team of Old Man Emu Ride Control Engineers, BP-51 shock absorbers are vehicle specific and utilise existing mounting locations to provide easy installation without the need for additional vehicle modification.

Unlike most other adjustable shock absorbers, which provide adjustment for compression only, the BP-51 range allows on vehicle, independent adjustability of both rebound and compression to offer class leading ride customisation that can be tailored to individual vehicle or trip requirements.

Development and Manufacturing

All BP-51 shock absorbers are manufactured in-house by ARB. In order to achieve this, significant investment has been made in state-of-the-art machining and hard anodising equipment, allowing ARB total control over the manufacturing process to ensure the highest possible quality.

BP-51 shock absorber bodies are manufactured using aircraft grade (6061 T6) anodised aluminium to dissipate heat more efficiently than steel or alloy steel and provide superior corrosion resistance.

Extensive lab, real world and destructive testing has been undertaken during the development process to ensure that reliability, longevity and performance all meet ARB's impeccable standards.

Bypass Technology

In addition to the velocity sensitive damping used in most shock absorbers (where the faster the piston moves, the higher the level of damping is generated), BP-51 shock absorbers also generate damping dependent on the position of the piston within the shock absorber's body via their bypass design.

Typical shock absorbers are only able to provide damping based on fluid transfer through the piston. BP-51's unique bypass design offers the best of both worlds, allowing the high performance oil to pass directly through the piston while also being channelled around this assembly via the bypass passages. The result is a shock absorber which can adapt to any terrain, providing increased ride control at the upper and lower travel limits.

With greater levels of damping generated at each end of the stroke, the piston slows as it approaches full compression and extension, preventing harsh topping out and allowing larger bumps and corrugations to be absorbed more easily. This results in an ability for the shock absorber to provide the best of both worlds, with a comfortable and compliant ride during normal driving and a more controlled ride over challenging terrain.

The BP-51 range is backed by a worldwide network in more than 100 countries and a three year, 60,000km warranty.



Internal features

- Bypass, shim controlled, position sensitive damping (patent pending)
- Multiple compression and rebound bypass zones for smoother transition
- Kidney bypass ports for maximum bore size and bypass flow area
- High performance, high viscosity index oil
- 1900MPa polished, high strength, high fatigue life shims



NITROCHARGER SPORT SHOCK ABSORBERS



The Nitrocharger Sport range takes the next step in vehicle specific valving and offers the most cohesive, balanced and finely tuned valving system on the market.

The Nitrocharger Sport range is the result of an exhaustive development program targeted at producing an advanced shock absorber with the capacity to deliver vast improvements in ride control, load carrying, durability and vehicle specific fine tuning. Utilising significant advances in key components and the latest in valving technology, Nitrocharger Sport shock absorbers provide tremendous improvements in ride, comfort and handling over all terrains.

The requirements of one vehicle owner can be vastly different to another. Because of this, several Nitrocharger Sport shock absorber applications are typically listed for one vehicle model to ensure the proper valving is matched to the spring selection, accessory fitment and load carrying requirements. Durability has been proven under extensive laboratory and remote area travel testing, supported by scientific data logging and all valving work carried out in Australia by OME's Ride Control Engineers.

A competition range is also available, which features all of the standard Nitrocharger Sport features, with an additional 50mm/1.96in of open length and a corresponding closed length for even greater handling and control in off road motorsport.

Built in Australia and trusted by 4WDers throughout the world, Nitrocharger Sport shock absorbers set the standard in fine tuning and ride comfort over any terrain, and simply outperform the competition.

Fully compatible with OME's extensive range of springs, bushes and hardware, the Nitrocharger Sport range is backed by a worldwide network of more than 100 authorised ARB distributors and a three year, 60,000km warranty.



Vehicle specific bushes manufactured from polyurethane and rubber materials for extended life.

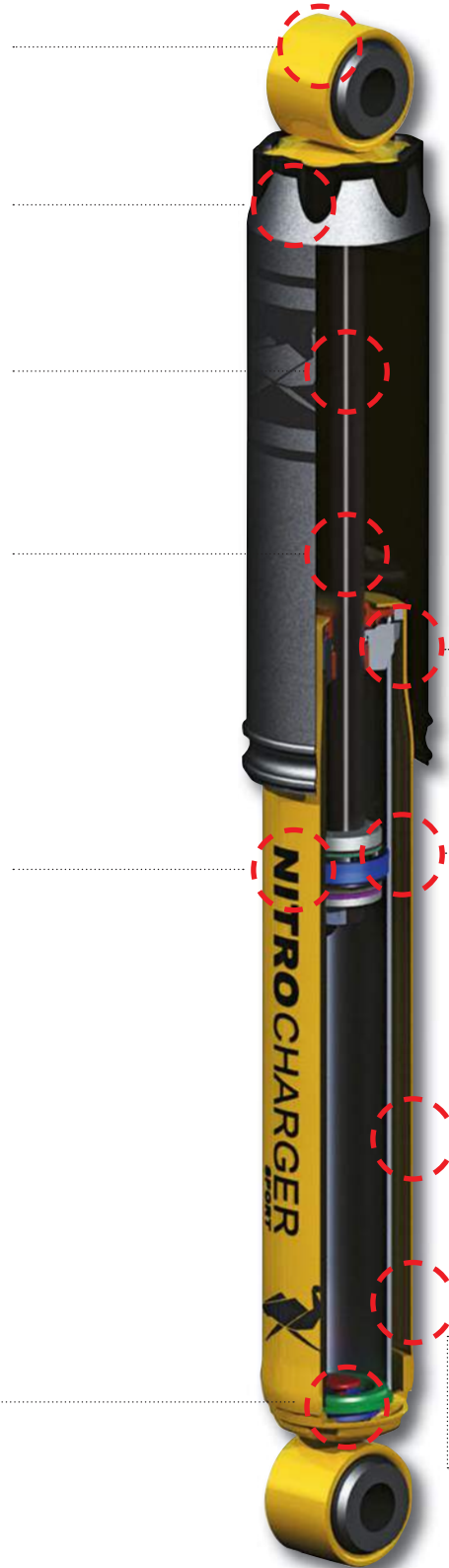
Impact resistant, polyamide dirt shield provides additional protection from stone chips and off road debris.

18mm/0.70in induction hardened chrome piston rod engineered to handle the rigours of heavy loads and tough 4x4 touring.

Nitrogen gas increases the temperature operating range and improves oil flow through the valving, ensuring optimum performance.

Petroleum based, high performance oil designed to resist fade and aeration for improved durability and shock absorber performance.

Located at the base of the shock absorber, this stack offers significant valving advantages by combining the bleed disc with five thinner discs. This translates to a more rounded and comfortable ride over patchy and uneven road conditions. And, by using different diameter discs, a second advantage is found through the creation of a multi-stage compression stack which generates a comfortable ride together with a stronger second stage that gives more control in rougher conditions.



The rod guide has been engineered with a less restrictive design and open apertures to ensure a more uniform oil flow through the disc stacks. This improves control over a higher temperature range – as the shock absorber heats up, oil flow over the valving remains stable, giving dependable, fade free damping. A Teflon infused bronze slip ring has also been incorporated into the rod guide to ensure tight manufacturing tolerances are maintained.

Capable of handling greater internal pressures and higher temperatures, a triple lip oil seal incorporates a gas retention check valve to virtually eliminate contaminant damage and provide outstanding gas and oil retention.

The combination of the compression and rebound stacks enable OME engineers to produce the most finely tuned 4x4 shock absorber on the market. Specifically tailored to individual vehicle models and intended uses, this assembly also enables the shock absorber to instantly adapt to the road surface, guaranteeing rapid valving responses and improvements in ride quality, handling and control. Located above the piston is a major innovation unique to Nitrocharger Sport. Tuned to influence oil flow returning above the piston, this area of compression works in conjunction with the cylinder end compression valving to produce dynamic balance of oil distribution throughout the shock absorber. This in turn permits even greater fine tuning for vehicle specific valving. Advantages of this include better control and more comfort over uneven terrain, particularly at slower speeds. With up to ten discs used to control rebound, the piston-based rebound stack allows multi-staging of the mid range for initial control over small road imperfections, and heavier and more commanding control when harsher conditions are encountered.

High flow piston design to reduce aeration and high oil temperature, extending shock absorber performance under harsh conditions.

Heavy gauge steel reserve tube is 23% more effective than common 1.3mm/0.05in wall tubing to protect internal components from stone damage.

COIL SPRINGS



ARB designs an extensive range of Old Man Emu coil springs for each vehicle, utilising state of the art micro-alloyed spring steel to ensure superior resistance to sagging and corrosion. With such a wide range on offer, coil springs can be better matched to your specific load requirements and intended vehicle usage.

While ride height increases are attained, a greater emphasis is placed on ride control improvements. Further fine tuning is achieved when the springs are matched to a corresponding set of Old Man Emu shock absorbers, delivering a fully integrated system designed specifically to suit your vehicle.

Features

- Manufactured from state-of-the-art micro-alloyed spring steel for superior strength and durability
- Double scragged before and after shot peening to reduce spring stress and enhance spring life
- Constant and variable rate coils available for multiple applications
- Formed on computer controlled, precision mandrels to ensure manufacturing consistency
- Spring end configurations designed to exact specifications, guaranteeing perfect fitment to your vehicle
- Finished in durable, hard wearing epoxy black powder coat
- Designed and manufactured in Australia



LEAF SPRINGS



Old Man Emu leaf springs are engineered to provide optimum ride performance irrespective of the operating conditions.

Numerous spring options are available to suit a multitude of applications, allowing you to set your vehicle up for recreational or commercial purposes. Feature packed, a set of Old Man Emu leaf springs, matched to a set of Old Man Emu shocks, will deliver vastly improved ride, handling and load carrying capability.

NOTE: Most Old Man Emu leaf springs have all the listed features, but where design or a physical limitation exists, one or more of these features may not be incorporated. Please check with your OME licensed dealer for further information.

Features

- Draw tapered and diamond cut leaves ensure the load is progressively distributed over a larger surface area, reducing the high stresses that develop at leaf ends, increasing ride comfort and longevity
- Leaf clamps are bolted to allow installation of anti-squeak nylon liners
- Fully scragged to ensure the spring takes a permanent 'set' which reduces the risk of sagging
- Load testing ensures the spring meets the required specification
- Military wrap, designed to provide added safety
- Nylon interleaf anti friction pads reduce friction at the leaf tips where the load is the greatest
- Flat axle seat area allows a positive, safe axle mount, reducing spring stress and increasing spring life
- The tension side of all leaves is shot peened to reduce spring stress. This process can double the life of a spring.
- Two-stage leaf pack featured on most rear springs for optimum comfort. When unladen, the vehicle is largely riding on the primary stage, with the secondary stage providing additional support when a heavy load is added.



OTHER PRODUCTS



STEERING STABILISERS

Designed to reduce the effect of wheel vibration and improve the feel, handling and control of the vehicle, OME's steering stabilisers will also reduce the aggressive rotation of the steering wheel over rough roads without affecting steering wheel return.

Features

- 9 stage coil spring valving allows for optimum performance
- 15mm/0.59in piston rod is stronger than the original equipment part
- Steel stone guard protects the piston rod against stone damage
- 35mm/1.37in piston and bore allows increased oil volume
- Twin tube design protects the internal components against stone damage
- Multi lip seal prevents oil loss
- Original stabiliser mounts are used where appropriate for ease of installation



TORSION BARS

Old Man Emu torsion bars dramatically improve your vehicle's ride and handling, both on road and off.

They are designed and set for optimum ride performance, while maintaining maximum wheel travel which is crucial during off road driving. Old Man Emu torsion bars work best when Old Man Emu coil or leaf springs are fitted to the rear of your vehicle, with bars and springs then carefully matched to our premium range of four wheel drive shock absorbers. Together, they'll transform your vehicle's suspension performance.



GREASABLE SHACKLES

Should your Old Man Emu 4WD suspension system include leaf springs, the included bushes require periodic lubrication to ensure longevity. OME greasable shackles and pins facilitate this without the need to remove the shackles, greatly reducing the time and effort involved.

Features

- Unique, easy bolt together assembly eliminates out of angle 'shackle pin to side plate' problems commonly associated with press fit assemblies
- Each pin has two grease inlet holes to guarantee maximum grease coverage between the shackle pin and the spring bush – increasing bush life and improving ride quality
- Heat treated pins ensure long life under heavy loads and off road conditions
- Side plates are zinc plated for protection against corrosion



BUSHES

OME offers a variety of urethane and rubber bush kits for shock absorbers, leaf springs, panhard rods, control arms and sway bars. Unique features like our exclusive splined leaf spring bushes and caster correction kits ensure proper performance.



HARDWARE

The OME range doesn't just stop with shocks, springs and bushes. At ARB we take integration to the highest level with our own range of U bolts, centre bolts, spring liners, trim packers, and suspension fitting kits.

OME UPGRADES



Engineered in line with Australian Design Rules (ADR) requirements and the result of detailed tests carried out by OME engineers, a Gross Vehicle Mass (GVM) upgrade allows owners to legally increase their gross vehicle mass without voiding their insurance or making their vehicle unsafe.

GVM is the maximum a vehicle can weigh when fully loaded. Everything placed on or in your vehicle, such as fuel, bull bar, tray body, and passengers, adds to your overall GVM. Exceeding these limits can result in voiding your insurance, costly fines and an unsafe vehicle.

Old Man Emu offers GVM upgrades for a number of vehicles to provide greater load carrying capacity.





LINX

LINX
ARB

LINX
57



LINX

LINX IS A REVOLUTIONARY NEW VEHICLE ACCESSORY INTERFACE THAT INTEGRATES SEAMLESSLY WITH YOUR 4X4 OFFERING TOTAL CONTROL OVER EXISTING AND NEW ACCESSORIES VIA A COMPACT TOUCHSCREEN DISPLAY.



LINX
58

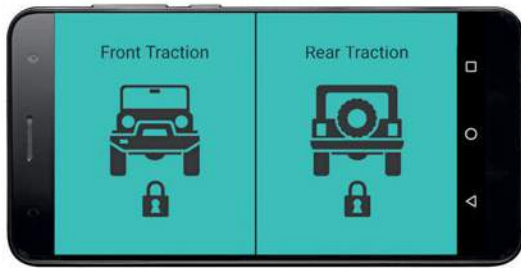
LINX is a unique modern controller that declutters the dashboard and centralises the command of vehicle accessories by replacing classic switches, gauges and monitors with one sleek and smart driver interface. Built on an expandable platform LINX will continue to evolve your on and off road driving experience both now and into the future.

LINX ACCESSORIES

Complementing LINX is a range of components and hardware to help you seamlessly integrate optional accessories and your LINX display in your vehicle.



LINX MODULES



FRONT & REAR TRACTION

Removing up to two switches from your dashboard (front and rear Air Locker), the Front & Rear Traction module automatically senses driver input and activates the compressor as required.



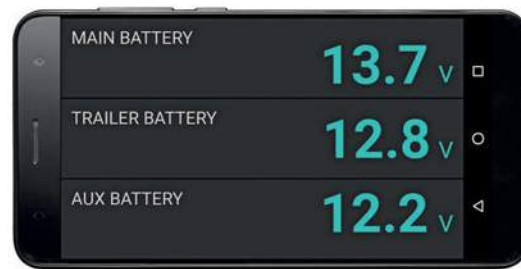
COMPRESSOR & PRESSURE CONTROL

Taking tyre inflation and deflation to the next level (with the optional pressure control hardware kit fitted). LINX allows tyre pressures to be adjusted and set remotely via touchscreen. By simply connecting the air hose from your vehicle mounted compressor to the tyre valve, current pressure is displayed on the LINX screen. Inputting target pressure automatically inflates or deflates to your desired level with the pressure shown in real time on the display, making airing up or down for highway or off road simple and accurate.



ACCESSORY SWITCHBOARD

A key feature of the LINX platform is its ability to control up to six additional switched accessories. Each accessory can be customised to switch on or off by user input, or automatically with ignition, high beam headlamps, low beam headlamps or reversing lamps. Additionally, each accessory can be personalised in name with individual settings for low voltage cut out to protect your vehicle from a flat battery.



BATTERY MONITOR

With all the additional powered accessories fitted to your 4WD, having ample battery capacity is a must. LINX allows you to monitor up to three batteries simultaneously. Each battery can be identified by a custom name with the added ability to set low voltage alarms on each; ensuring your beer stays cold and you are never left without enough power to start your vehicle.



SPEEDOMETER

With LINX's Speedometer Module you can now have confidence no matter what size tyre your vehicle runs as the built-in GPS ensures an accurate reading. The LINX Speedometer Module also shows your altitude and compass bearing and allows for speed limit warnings to be set.



AIR SUSPENSION CONTROL

Many 4WDers install air bag suspension systems to help carry the occasional loads associated with towing boats, camper trailers and caravans. When fitted with the optional LINX Pressure Control Kit, LINX can control up to four airbags either as pairs (to level front to rear) or independently, allowing for leveling of the vehicle side to side and front to rear.

AIR LOCK



CKERS



AIR LOCKERS



THE REQUIREMENT

Just one push of a button and you're back on track!

Lose traction without an air locker and your wheels just spin and spin. Regular differentials won't help. In fact, they hinder. Regular differentials are designed to allow each wheel to turn independently – just when you need thrust.

You could be stuck in the mud, stuck in the dirt, stuck in the bush for ... well, until help arrives. And help can be costly.

An ARB air locker not only provides peace of mind; at some stage it will almost certainly be called into action. You'll have the traction you need, when you need it, at the flick of a switch, all within the safety and comfort of the driver's seat.

THE SOLUTION

Created to provide 100% traction on demand, without sacrificing any of your vehicle's highway driving performance, ARB air lockers employ a 12V air compressor designed to activate (and deactivate) a solid and durable locking mechanism inside the differential.

The advantage of ARB's air lockers lies in the pneumatically operated locking system that prevents the differential gears from rotating and therefore prevents the axle shafts from turning independently of each other. It reduces the likelihood of both vehicle and environmental damage.

RANGE & INSTALLATION

ARB air lockers are available in more than 100 configurations to suit just about every 4x4 vehicle. It can be installed in both front and rear axles. ARB also offers three compressor models suitable for air locker operation, two of which can also be used to inflate tyres and other equipment. For total peace of mind, all ARB air lockers are backed by a comprehensive, five year, unlimited kilometre warranty.



Clutch gear

ARB's patented locking system actually supports the side gear teeth, giving you more torque handling capability, exactly when you need it.

Pinion gear

Combining the strength of forged nickel alloy steel with redefined gear tooth geometry, ARB has revolutionised locking differential gear design to yield structural advantages of up to 30% over commercially available high strength gears.

Cross shaft retaining pin

Custom made one-piece hardened retaining pins lock into the assembly using a tapered thread junction.

Forged gears

With phenomenal forces being applied to the side and pinion gears within the differential, ARB has invested heavily in the application of forged gears, typically found in heavy duty commercial, race and agricultural transmissions.

Spider block

A billet machined alloy steel spider block supports the cross shafts, using the torque applied at each shaft to support the next shaft along.

Long cross shaft

Alloy steels and performance surface technology make for a high pressure running fit that can handle an enormous amount of punishment.

Diff case

Fully machined one-piece nodular iron diff carrier case offers the rigidity of a one-piece factory differential with twice the standard number of pinion gears to cope with the torque.

Return spring

Instead of a complex external actuator system to engage/disengage the locking mechanism, ARB Air Lockers use up to 12 return springs to support the entire profile of the locking gear for a fast, positive and independent disengagement.

Splined side gear

High grade surface treatments, forged nickel alloy steel and ARB's patented timed locking system make this the most 'lockable' gear in the industry.

Flange cap assembly

Fully machined nodular iron flange cap incorporates the stationary side of ARB's tough, proven and patented timed locking mechanism.

Bonded seal

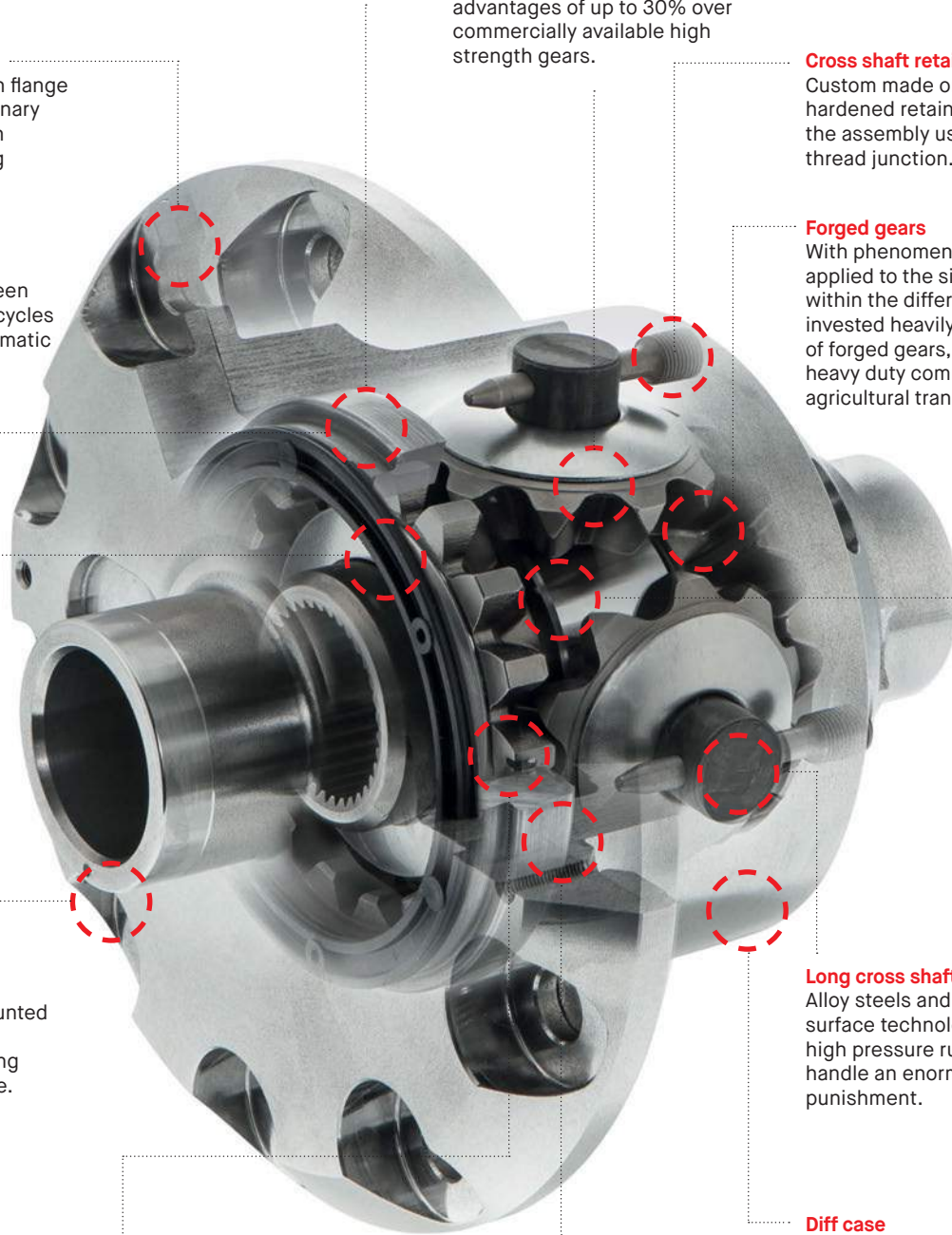
Steel reinforced, elastomer bonded annular seal has been proven to handle 20,000+ cycles under the most extreme climatic temperatures.

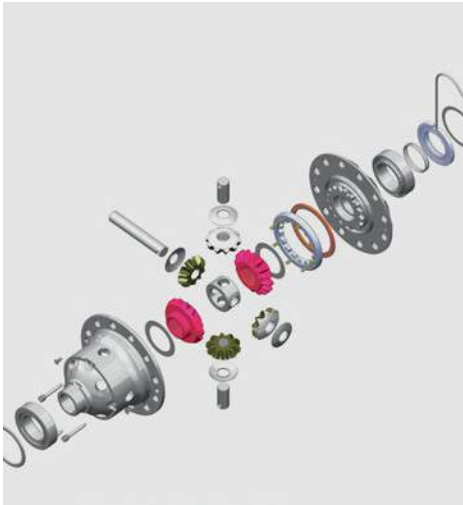
Two-piece design

Machining a case from two pieces instead of three results in a much higher dimensional accuracy of the finished assembly and has allowed ARB engineers to improve the design of other elements, resulting in a reduction of moving parts, increased strength and a more responsive activation.

Air supply

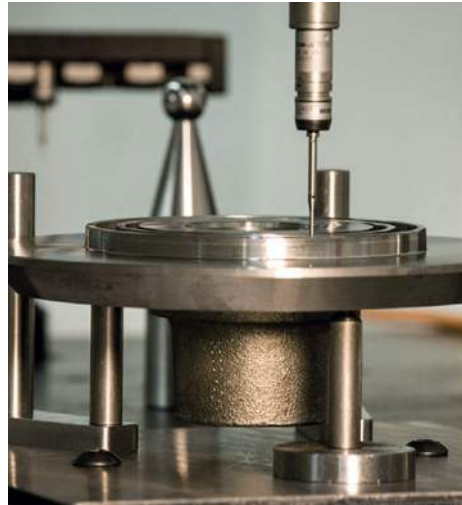
Activated using a dash mounted switch, compressed air is delivered to the seal housing assembly via a nylon air line.





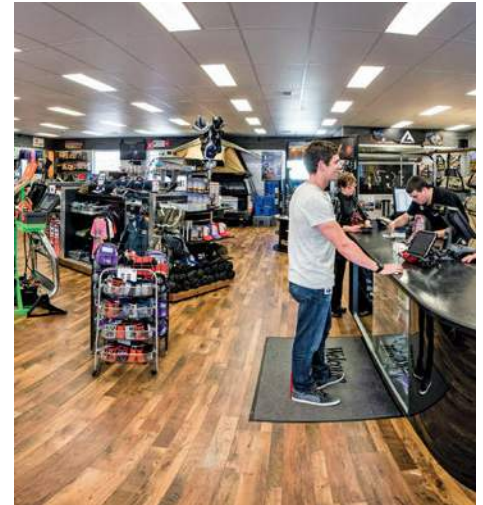
ENGINEERING AND TESTING

The design process of an Air Locker involves countless hours of testing. Computerised Finite Element Analysis (FEA) allows the engineer to subject each Air Locker to 'virtual' off road driving stress simulations far greater than those experienced in real life, including extreme temperatures and harsh wheel spin. Prototypes are tested to ensure the strength of the Air Locker exceeds that of the axles or other driveline components. Finally, field testing is carried out with units being fitted to 4WDs that operate in the harshest environments imaginable.



MANUFACTURING AND ASSEMBLY

ARB has a very highly skilled and motivated workforce operating in its manufacturing plants. Our dedicated employees, many of whom are off road enthusiasts, maintain a very high standard of workmanship throughout the assembly and distribution process. We have stringent quality and environmental control systems in place, ensuring our exceptionally high standards are maintained. Air Lockers are manufactured in ARB's state-of-the-art facility in Melbourne, Australia and sold throughout the world.



RANGE AND INSTALLATION

For total peace of mind, all ARB Air Lockers are backed by a comprehensive, five-year, unlimited kilometre warranty. Coupled with ARB's extensive domestic and international network of stores and distributors, you can be sure we'll be there to support you in the unlikely event of an issue.



PERFORMANCE MODEL RANGE

ARB Air Lockers dominate the world's toughest off road events.

They are used by some of the biggest names in off-road competitions, drivers who stake their reputations on quality and reliability. If they can trust ARB air lockers to get them across the finish line, you can be sure the air lockers will survive anything you throw at them off road.



ARB DIFFERENTIAL COVER

An ARB differential cover will protect your diff against the hazards of competition or extreme off road use.

When off road, it is inevitable that obstacles and off road hazards will be encountered that could potentially inflict expensive damage to your differential. To prevent this, ARB manufactures a range of differential covers. Using high tensile nodular iron, they are engineered to protect the differential and ring and pinion set from any off road hazards.

Differential covers are perfect for both competition and 4WDing where harsh off road work is to be encountered. Coming in a red powder coat finish, ARB differential covers are available to suit a select range of differentials.

ARB DIFFERENTIAL BREATHER KIT

When drivetrain assemblies such as your vehicle's differentials, gearbox and transfer case heat up under normal operation, the air inside expands and increases pressure.

To vent this additional pressure, most factory differentials have a valve mounted to either the assembly itself, or on a short extension tube close by.

Unfortunately, when the drivetrain assembly cools down, the air inside contracts, creating a vacuum. When cooling occurs during a water crossing, these valves can draw water into the system, potentially causing expensive damage.

The ARB Differential Breather Kit is designed to provide a high flow, zero back pressure, zero vacuum breather system to keep your drivetrain free of water. This is achieved with a central high flow air filter and manifold that will allow up to four drivetrain assemblies to be vented to one central location, positioned high enough to avoid water during crossings.

Features

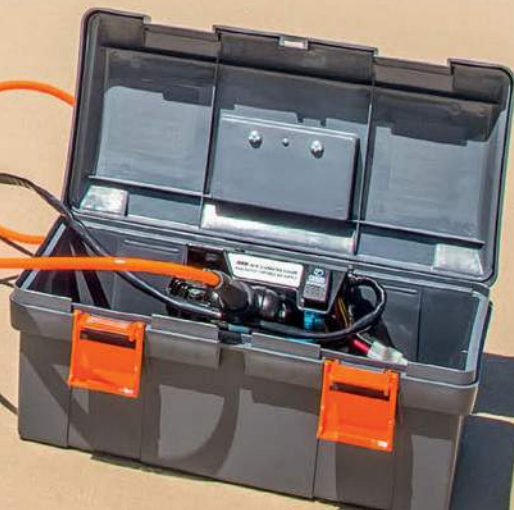
- Computer optimised cross brace design increases the structural rigidity of the whole axle
- Additional housing strength helps keep the ring and pinion gears meshing on the flat faces of the teeth, greatly increasing ring and pinion life and overall maximum load strength
- Top quality, high power neodymium magnets are used in both the drain plug and the dipstick to collect metallic wear particles as the vehicle moves
- Magnet location in the end of the dipstick allows the oil to be checked for telltale signs of internal damage
- Prolonged carrier bearing life due to extra support to the bearing alignment
- Approach/departure angle optimised by angled exterior surfaces
- Unique dipstick/filler cap design allows the differential oil level to be adjusted for customised high driveline angles



AIR SYSTEMS



SYSTEMS



AIR COMPRESSORS

AVAILABLE IN BOTH PORTABLE AND VEHICLE MOUNTED KITS, ARB AIR COMPRESSORS PROVIDE MANY ADVANTAGES FOR EXPLORING THE GREAT OUTDOORS. WHETHER INFLATING TYRES AND CAMPING ACCESSORIES, RUNNING AIR TOOLS, ACTIVATING AIR LOCKERS OR EVEN RESEATING A TYRE ONTO A WHEEL, THERE'S A MODEL AVAILABLE TO SUIT YOUR NEEDS.

ALL ARB AIR COMPRESSORS COME WITH A COMPREHENSIVE 2 YEAR WARRANTY AND ARE INDIVIDUALLY LEAK, CURRENT DRAW AND FLOW TESTED UNDER LOAD AT THE FACTORY BEFORE PACKING.

HIGH OUTPUT COMPRESSOR FEATURES

- Sealed for moisture and dust resistance
- Hard anodised cylinder bore for reduced friction
- Teflon impregnated carbon fibre piston seal for maximum trouble free life
- Anodised mounting bracket dissipates motor heat and allows compressor to be rotated 180 degrees on vehicle mounted models
- On-board model available in either a 12V or 24V configuration
- Quality components for quiet operation and extra long life
- Constructed entirely of lightweight, high strength engineering grade materials
- Over-pressure safety valve equipped
- Motor is thermally protected against extreme temperature damage
- Heavy duty maxi-fuse equipped for professional in-line circuit protection



MAXIMUM PERFORMANCE COMPRESSOR FEATURES

- Designed for inflating tyres and Air Locker activation when used in conjunction with optional accessories
- Suitable for many air tools when used in conjunction with 4L air tank (optional with on-board models)
- 100% duty cycle
- Sealed for moisture and dust resistance
- Hard anodised cylinder bores for reduced friction
- Teflon impregnated carbon fibre piston seals for maximum trouble free life
- Anodised mounting bracket dissipates heat
- Integrated pressure switch, relays and IP55 (waterproof/dustproof) brushless fan cools electronics, motors and cylinder heads
- Over-pressure safety valve equipped
- On-board model available in either a 12V or 24V configuration



ON-BOARD AIR

PERMANENTLY MOUNTED, THE RANGE OF ARB VEHICLE MOUNTED COMPRESSORS ARE WATER, DUST, HEAT AND SHOCK RESISTANT TO WITHSTAND THE RIGOURS OF OFF ROAD TRAVEL. EACH KIT INCLUDES A FULL WIRING HARNESS WITH RELAY, MULTI POSITION MOUNTING BRACKET AND PRESSURE SWITCH. AN OPTIONAL TYRE INFLATION KIT IS AVAILABLE SEPARATELY FOR SELECTED MODELS.



HIGH OUTPUT ON-BOARD

Permanently mounted and designed to withstand harsh environments, this compressor can be used to activate Air Lockers, as well as inflating tyres and other equipment.



MAXIMUM PERFORMANCE ON-BOARD

For optimum power and maximum performance, the twin motor design will deliver superior air flow for fast inflation.



AIR LOCKER ACTIVATION SYSTEM

Specifically designed to activate ARB Air Lockers, this smaller unit is sealed for moisture and dust resistance, allowing versatile positioning.

MODEL NUMBER/ DESCRIPTION	SUPPLY VOLTAGE	CURRENT DRAW NO-LOAD	AIR FLOW UNDER NO-LOAD		CURRENT DRAW UNDER LOAD	AIR FLOW UNDER LOAD		WEIGHT compressor & included accessories		DUTY CYCLE % @ 22°C [72°F] (ON TIME/OFF TIME)	SIZE MM [INCHES] when positioned vertically in the mounting bracket			AUTOMOTIVE LOAD PROTECTION IN LOOM	AIR LOCKER SOLENOID MOUNTING MANIFOLD	PRESSURE CUTOUT SWITCH	AIR FILTER EQUIPPED	6 METRE [20 FT] TYRE INFLATION HOSE	THERMAL OVER-LOAD PROTECTED MOTOR
			@ 0KPa	@ 0PSI		@ 200KPa	@ 29PSI	Kgs	Lbs		Height	Length	Width						
CKSA12 Air Locker Activation System	12	5.5A	27.7L/m	0.98CFM	7.5A	19.7L/m	0.70CFM	2.4	5.3	35% 21/39	122mm [4.8"]	162mm [6.4"]	88mm [3.5"]	NO	YES	YES	YES	NO	NO
CKMA12 High Output On-Board	12	14A	87.2L/m	3.08CFM	25A	66L/m	2.34CFM	4.5	9.9	50% 30/30	145mm [5.7"]	190mm [7.5"]	98mm [3.9"]	YES	YES	YES	YES	NO	YES
CKMA24 High Output On-Board	24	7A	87.2L/m	3.08CFM	12.6A	66L/m	2.34CFM	4.5	9.9	50% 30/30	145mm [5.7"]	190mm [7.5"]	98mm [3.9"]	YES	YES	YES	YES	NO	YES
CKMTA12 Maximum Performance On-Board	12	28A	174.4L/m	6.16CFM	50A	132L/m	4.68CFM	8.8	19.4	100% 60/0	105mm [4.1"]	278mm [10.9"]	190mm [7.5"]	YES	NO	YES	YES	NO	YES
CKMTA24 Maximum Performance On-Board	24	14A	174.4L/m	6.16CFM	25A	132L/m	4.68CFM	8.8	19.4	100% 60/0	105mm [4.1"]	278mm [10.9"]	190mm [7.5"]	YES	NO	YES	YES	NO	YES

PORTABLE AIR



ENGINEERED TO SUIT ANY OFF ROAD ADVENTURE, ARB PORTABLE COMPRESSORS COME COMPLETE WITH A 6 METRE/20FT AIR HOSE, INFLATION KIT, BATTERY CLIPS, HARD MOUNTED ACTIVATION SWITCH AND PROFESSIONAL CIRCUIT PROTECTION.

AVAILABLE IN EITHER HIGH OUTPUT OR MAXIMUM PERFORMANCE, EACH KIT IS HOUSED IN A DURABLE CARRY CASE FOR PROTECTION AND PRACTICALITY.



HIGH OUTPUT PORTABLE

For easy carrying and storage, this portable air compressor is constructed from lightweight, high grade materials and comes mounted in a durable case.



MAXIMUM PERFORMANCE PORTABLE

For high flow air on demand, the maximum performance portable air compressor is an ideal solution for air tools, inflating tyres and camping or leisure gear.

MODEL NUMBER/ DESCRIPTION	SUPPLY VOLTAGE	CURRENT DRAW NO-LOAD	AIR FLOW UNDER NO-LOAD		CURRENT DRAW UNDER LOAD	AIR FLOW UNDER LOAD		WEIGHT compressor & included accessories		DUTY CYCLE % @ 22°C [72°F] (ON TIME/OFF TIME)	SIZE MM [INCHES] when positioned vertically in the mounting bracket			AUTOMOTIVE LOAD PROTECTION IN LOOM	AIR LOCKER SOLENOID MOUNTING MANIFOLD	PRESSURE CUTOFF SWITCH	AIR FILTER EQUIPPED	6 METRE [20 FT] TYRE INFLATION HOSE	THERMAL OVER-LOAD PROTECTED MOTOR
			@ 0KPa	@ 0PSI		@ 200KPa	@ 29PSI	Kgs	Lbs		Height	Length	Width						
CKMP12 High Output Portable	12	14A	87.2L/m	3.08CFM	25A	66L/m	2.34CFM	6.6	14.5	50% 30/30	208mm [8.2"]	440mm [17.3"]	238mm [9.4"]	YES	NO	YES	YES	YES	YES
CKMTP12 Maximum Performance Portable	12	28A	174.4L/m	6.16CFM	50A	132L/m	4.68CFM	15	33	100% 60/0	186mm [7.3"]	478mm [18.8"]	355mm [14"]	YES	NO	YES	YES	YES	YES

AIR ACCESSORIES

THE AIR SYSTEMS RANGE COMBINES A HOST OF ARB'S PROVEN AIR RELATED ACCESSORIES WITH A NEW RANGE OF COMPONENTS DESIGNED TO PROVIDE AN ALL-IN-ONE SOLUTION FOR EQUIPPING A VEHICLE FRONT TO BACK WITH ON-BOARD AIR.



AIR SYSTEMS COMPONENTS

Air Systems components, such as air fittings, various lengths of stainless braided PTFE hose, and air chuck mounting solutions, provide all the necessary components to fit a complete air compressor system to your four wheel drive, essentially allowing a vehicle to be outfitted front to back with on-demand air.



ARB AIR CHUCK WITH CLIP

The air chuck with clip is ideal for applications where an angled chuck is required, including small wheels and motorcycle rims. The ARB air chuck with clip features heavy duty nickel plated brass and steel construction for long lasting reliability.



DIGITAL TYRE INFLATOR

It's important to carry accurate air pressure equipment in your vehicle, especially when travelling off road. The ARB digital tyre inflator makes checking and adjusting tyre pressure easy, with its large, easy to read backlit display, thumb operated inflator button and easy access deflator bleed button.

Features

- Inflate, deflate and measure
- 600mm/23.6in dual swivel PVC coated braided hose
- Accuracy to +/- 1psi @ 25-75psi
- Up to 200 hours runtime
- Easy to read blue backlight display



ALUMINIUM AIR TANK

Ideal for use with ARB's maximum performance and high output on-board compressors and rated to a maximum working pressure of 150psi (1030kPa), the 4 litre/1.05 gal aluminium air tank delivers high volume air output suitable for rapid tyre inflation and running most air powered tools. 50% lighter than an equivalent steel tank, the tank incorporates two 1/4NPT ports with JIC-4 male fittings and comes with mounting hardware for easy installation.



AIR LOCKER MANIFOLD KIT

Designed to work seamlessly with ARB's maximum performance on-board compressors, the Air Locker manifold kit enables easy installation of Air Locker solenoids to an air source such as a compressor or regulated gas bottle. With a working pressure of 150psi (1030kPa), the manifold kit incorporates multiple ports for use with ARB's pump up kit, as well as mounting brackets and a Teflon stainless steel braided hose designed to cool air supply for tyre inflation.



PUMP UP KIT

Standard on the portable compressor kits, the pump up kit is also an optional accessory for the vehicle mounted range. Incorporating quick connect couplings for quick mounting to ARB air compressors and accessories, the kit also includes a quality 6m (20ft) air hose, an air accessory kit and a T-piece for inline connection of an air chuck and pressure switch.



ARB PUSH-ON AIR CHUCK

For applications where a long reach is required, such as with bead locks, split rims and dual truck rims, the ARB push-on air chuck makes access simple and stress free. Featuring a dual chuck for valve access on split rims, the push-on chuck is nickel plated for corrosion protection and incorporates an easy-grip rubber sleeve handle.



AIR PRESSURE GAUGES, INFLATORS AND DEFLATORS

ARB air pressure gauges and inflators allow you to quickly and easily check, inflate or deflate the pressure in your tyres. With a quality bronze Bourdon Tube design, each gauge has been designed and tested for maximum accuracy. They feature easy to read dials and come with a comprehensive two-year warranty.

CANOPY

CANOPIES
72



PIES



ASCENT CANOPY

FEATURING THE LATEST IN DESIGN, TECHNOLOGY AND FUNCTIONALITY, THE ASCENT CANOPY PROVIDES ADDITIONAL STORAGE CAPACITY, WHILE KEEPING YOUR GEAR SECURE AND PROTECTED FROM THE ELEMENTS.

Electronic unlatching system

The Ascent canopy incorporates electronic unlatching for the rear door and side lift up or pop out windows, thereby replacing the need for handles and providing an easy one-handed operation to lift or close the glass.

The buttons to unlatch the rear door and side lift up windows are discreetly located in the rear door grip and along the front edge of the canopy. When unlatched, the glass will lift slightly until fully opened by the operator.

Stylish interior

With a stylish and functional internal design, the Ascent canopy features smooth clean lines, maximum space and concealment of all fasteners and wiring loom, where possible.

Premium windows

The double curved rear door and side windows incorporate frameless, tempered automotive glass rated to international standards. 5mm thick with a dark grey tint (28% visual light transmission), the tempered glass provides added security for your belongings.

A clear, lift up front window provides unobtrusive rear vision and the ability to clean the exterior surface of the vehicle cabin and canopy glass.



Hard point attachment system

The Ascent canopy utilises a patented and clever canopy attachment rail that ensures a secure fitment to the vehicle's recommended hard points.

Fitting the canopy to the vehicle's hard points minimises weight pressure on the vehicle tub, which has undergone a reduction in material thickness in recent dual cab models.

The hard point system has been thoroughly tested both in the engineering lab and on extreme tracks to ensure a secure and reliable fitment that can handle any terrain.

Vanishing edge design

A core focus of the Ascent canopy is its vanishing edge design, where the canopy integrates harmoniously with the tub of the vehicle.

The canopy exterior uses specially formulated, heavy duty ABS plastic, designed for temperatures ranging from -20°C to 90°C/-4°F to 194°F. This is then vacuum formed using precision moulding to exact, class-leading specifications.

LED light

An internal 36 LED light is controlled by a three-way switch that can be set to turn on automatically when the rear door is opened or alternatively, overridden for manual operation.

Next generation ventilation

The aerodynamic styling of the Ascent canopy includes an integrated rear spoiler to aid airflow over the rear door, and a slimline canopy vent which provides constant ventilation and positive pressure to reduce dust entry through the tailgate.

Anti-entrapment dial

A yellow anti-entrapment dial allows the Ascent's rear door to be locked or unlocked from within the canopy itself.

High specification adhesive

The Ascent canopy features thermoplastic seals and high specification adhesive. A special seal for the lower rear door corners is also incorporated to reduce glare and the potential for water and dust ingress – a common issue found in other canopies on the market.

Central locking system

The Ascent canopy boasts remote central locking for both the rear door and side lift up windows.

With security being a core feature, the remote central locking will auto lock if the vehicle is left unlocked and the vehicle doors have not been opened.

Should the battery in the vehicle remote go flat, the supplied key will unlock the rear canopy door.

Additional information

Warranty: Like all ARB canopies, the Ascent range is backed by a three-year warranty.

Testing: An exhaustive research, design and testing program was undertaken involving FEA, thermal testing, durability, load testing and harsh terrain testing to prove the Ascent canopy can handle everything from work sites to campsites.



CLASSIC CANOPY

TRIED AND TESTED IN SOME OF AUSTRALIA'S MOST RUGGED ENVIRONMENTS, THE CLASSIC CANOPY PROVIDES SECURE STORAGE SPACE FOR A WIDE RANGE OF DUAL CAB, SINGLE CAB AND EXTRA CAB VEHICLES.

Customised roof style

The standard roof canopy is available for a wide range of dual cab vehicles and is designed to blend with the natural height of the vehicle cab. It can be further customised with an ARB trade style roof rack or roof bars. The high roof canopy, which maximises the internal storage area for larger cargo, is available for the majority of dual cab vehicles, as well as a range of single cab and extra cab models.

Weather proof design

Classic canopy exteriors boast a premium quality, weatherproof design with a UV rated finish to suit the harsh Australian environment. In addition, our high quality automotive paint provides a tough, durable and UV resistant finish to complement your vehicle.

Customised window configuration

The popular lift up windows feature gas struts for self supported window opening, external locking with two unique D handles, keyed alike access with the rear door and an inbuilt rain gutter system to prevent water ingress.

Alternatively, you can select the sliding window option with four lockable positions or a combination of both sliding and lift up windows to suit your needs.

Front windows are available in either a sliding or lift up design and are manufactured from clear safety glass. Aimed at improving visibility, the lift up window allows for easy cleaning of the rear window on the vehicle cab.

Durable mounting system

With durability and safety in mind, all Classic canopies are attached with a full length mounting system that firmly secures the canopy to your vehicle. The Classic canopy is rated to carry 100kg/220lb with an approved ARB roof rack/bar system.

Secure locking system

With security being a key feature, the Classic canopy has double locking handles on both the lift up doors and windows as well as twin catches that are located inside the canopy to keep the tub area secure.

A lockable sliding front window can be optioned for most vehicle models and allows for greater ventilation.



CLASSIC PLUS CANOPY

THE NEW KID ON THE BLOCK IN THE CLASSIC RANGE, THE CLASSIC PLUS CANOPY, OFFERS INCREASED SECURITY WITH A CENTRALLY LOCKED REAR WINDOW, WHICH IS OPERATED USING THE VEHICLE KEY FOB. FEATURES OF THE CLASSIC PLUS INCLUDE

- Tinted safety glass
- Slam shut style rear window
- Single electronically operated door handle
- Keyed alike side windows
- LED brake light
- Unique canopy mounting system
- Available in a smooth finish

Easy clean interior

The Classic canopy uses smooth, inert materials that are easy to clean, ensuring your interior remains odourless.

Premium design

Designed and engineered in Australia, ARB canopies incorporate quality materials and are assembled to the highest standards.

The Classic canopy utilises an exclusive sandwich-base plate mounting system, with each canopy affixed to the vehicle via a strong and sturdy steel mount and alloy bed rail process which adds to the body hugging fit and makes for excellent sealing. ARB Classic canopies are available in a smooth or textured finish for most vehicle models.

Additional information

Environmentally friendly: The majority of canopy materials are recyclable to help reduce unwanted landfill and waste. Components such as the strong yet lightweight ABS shell, the window and door glass, steel mount rails, window frames and roof bow are all recyclable.

Warranty: The Classic canopy carries a three-year warranty.

Easily accessible: ARB's Classic canopy utilises parts that are readily available at economical prices in case of accidental damage, and can be sourced locally through ARB's extensive distribution network.

Lighting system

The rear LED brake light is high mounted for safety, while the interior contains an easy to reach halogen light, making it easier to locate work tools and other gear in dark conditions.

Premium tint

ARB canopy side windows and doors are manufactured with factory tinted 4mm/0.15in thick tempered safety glass to keep your canopy area cooler in summer and improve security.



CLASSIC & CLASSIC PLUS CANOPIES



Classic Plus Canopy Shown

ARB's Classic canopy has stood the test of time, offering unrivalled quality, practicality and affordability, making it the perfect solution to increase the space and security of a utility vehicle. The Classic canopy can be tailored to suit different requirements and has an extensive range of accessories to complement it.

The Classic Plus Canopy offers increased security with a central locking rear door.



ASCENT CANOPIES



CANOPIES
79



The top of the range ARB Ascent Canopy provides extra storage and security for belongings during on and off road travel with an electronic unlatching system and slam shut style latches on the side and rear windows for one-handed operation.

Designed, engineered and assembled in Australia, the Ascent canopy has undergone a rigorous testing regime to ensure it can handle the harshest of conditions.



CANOPY ACCESSORIES



CANOPY ROOF RACKS AND BARS

Available for both the Ascent and Classic canopies, optional internal support systems provide a solid foundation on which a range of ARB canopy roof racks and roof bars can be fitted, allowing up to 100kg/220lb to be carried on the canopy roof (subject to vehicle manufacturer's pickup tub load limit).

ARB's canopy roof racks are available in either steel or aluminium, with the aluminum rack weighing significantly less. Suitable for dual cab vehicles, ARB's canopy roof racks feature an open end design to accommodate longer trade materials such as timber, pipe and ladders.

A popular choice, the 1250mm/49.21in wide rack cage increases the available storage area and can easily accommodate sheet material. Optional rollers (available for steel racks only) assist with the loading and unloading of long trade materials.

ARB's internal canopy frame also accommodates Thule Professional, Aero Square roof bars and Rhino-Rack heavy duty bars. With roof bars in place, you can choose from a massive selection of trade and recreational roof accessories to match your needs.



CANOPY VENT

Standard on the Ascent canopy and optional on the Classic, the innovative slimline, high flow canopy vent is the ideal solution to reduce dust ingress and improve airflow. With the open vent facing the front of the vehicle, the canopy interior is pressurised, preventing dust from entering the area via the rear door or tailgate when travelling off road. This unique design allows the vent to be installed even with a roof rack or roof bars fitted to the canopy.



CLASSIC CANOPY WINDOW ACCESSORIES

ARB manufactures security mesh that is laser cut from 2.5mm/0.09in solid steel sheet and powder coated to suit all sliding windows. Offering improved security and protection from shifting or loose objects stored in the canopy, the security mesh is available for the full length of the front and/or side sliding windows, or as a half length for the sliding section of the side window. ARB flyscreens are also optional for all side sliding windows to increase your vehicle's versatility as an occasional sleeping area.

ROOF

ROOF RACKS 82



RACKS



ARB ROOF RACKS

EXTENSIVE RESEARCH, DESIGN AND TESTING GOES INTO ALL ARB RACKS TO ENSURE THEIR FUNCTIONALITY IS NEVER COMPROMISED, EVEN UNDER THE MOST DEMANDING CONDITIONS.

Steel specific

Evenly spaced crossbars can support loads of up to 150kg/330lb, with an optional fully welded steel mesh floor also available.

Precision cut drainage channel, specifically designed to reduce build up of dirt and accumulation of moisture.

Full length, zinc annealed steel support channel with plastic protection strip to distribute load along the gutter and prevent vehicle damage.

Stainless steel fitting hardware and a unique, super-strong clamping system that's easy to install and remove.

Steel specific
MIG welding is used on the joints to ensure optimum strength.

Pressed steel feet and legs are height and width adjustable, allowing multi-vehicle installations.

Top rail sits well above rack floor to ensure a secure load and is constructed from tough, 25mm/0.98in tube while the bottom rail utilises 35mm/1.37in tubing.



STEEL

WITH A STRONG, AERODYNAMIC DESIGN, ARB'S STEEL ROOF RACKS ARE CONSTRUCTED FOR MAXIMUM STRENGTH AND PERFECTLY SUITED TO THE STRUCTURAL DESIGN AND LOAD CARRYING REQUIREMENTS OF OFF ROADING.



Aluminium specific

An Amplimesh alloy mesh floor comes standard on the Aluminium Series, which is used to ensure the optimum strength of each rack.

Aluminium specific

A combination of TIG and the acclaimed Cold Metal Transfer (CMT) welding process is used to ensure the optimum strength of each rack.



Air deflector plate significantly reduces wind noise.

Rails are mandrel formed, ensuring consistency and even wall thickness across all sections.

ALUMINIUM

LIGHTER, THE ALUMINIUM SERIES IS THE IDEAL SOLUTION FOR CARRYING EXCESS OR BULKY ITEMS, WITH ALL OF THE DURABILITY, STRENGTH AND LOAD RATING OF AN ARB STEEL RACK. IT IS ALSO PERFECTLY SUITED TO OWNERS WHO MAY WISH TO REMOVE THEIR RACK BETWEEN TRIPS.

ROOF RACK OPTIONS





CAB RACKS

ARB's steel cab racks provide up to 75kg/165lb of carrying capacity with a shorter length in order to accommodate the smaller roof area on dual cab vehicles.



TOURING RACK

Specifically designed to mount the ARB rooftop tent range, this high quality manufactured steel roof rack is suitable for both rooftop tent mounting and front section storage.



TRADE RACKS

This trade version of our standard steel roof rack has an open-end design to accommodate longer items and offers the option of rear loading rollers.



MESH FLOOR

Providing further versatility to the ARB steel roof rack range, a fully welded steel mesh floor can be fitted to offer further support for your roof rack storage.



ROOF RACK JERRY CAN HOLDER

Accommodating two standard size 20L/4 gallon fuel or water jerry cans, this holder features solid steel construction with a durable metallic grey powder coat finish.



WIND DEFLECTOR

An optional roof rack wind deflector can be fitted to most ARB roof racks to further reduce wind noise.

DRAW

DRAWERS 88



EVERS



OUTBACK SOLUTIONS MODULAR ROLLER DRAWER SYSTEMS



DRAWERS 06



▶ Two standard drawers (L & R)



▶ Standard drawer stack (L & R)



▶ Roller floor



▶ Two roller floors



▶ Roller floor drawer (L) with standard drawer stack (R)

With a sleek modern design and high quality components that can be tailored to your individual needs, the Outback Solutions range reduces redundant areas whilst providing increased storage.

The Outback Solutions Modular Drawer Systems range comprises of a simple bolt-together-assembly and comes in three types of modules; roller drawer, roller drawer with roller floor, and roller floor. All modules come in a range of sizes and can be mixed and matched to suit more than 200 possible configurations.

The fully interchangeable modules can be mounted side by side, stacked, easily removed, swapped or added depending on your changing requirements.

An optional cargo barrier is available to provide vehicle occupants with total protection from cargo items in the event of emergency braking or collision. Installation is performed using securely fastened mounts positioned in the vehicle, resulting in easy removal of the cargo barrier.

A slide out roller drawer table is also an additional option to the drawer systems made from stainless steel to provide a hygienic surface for food preparation and worksite needs.

Whether you need to carry an ARB Fridge Freezer, tools of the trade or the kids' toys on your next off road adventure, there is an option to suit your requirements. Sold exclusively by ARB, the Outback Solutions range is backed by a comprehensive two-year warranty.

Modular units allow greater flexibility if your needs change in the future.

Purpose folded stainless steel runners for smooth drawer and slide operation.

Long lasting, UV stable commercial carpet designed to complement modern vehicle interiors.



Vehicle specific side floor kits complete installation and reduce redundant areas within the cabin.

Cross-folded floor ensures maximum support for items placed within each unit.

Self locking anti roll back system locks into place at full extension, removing the need for fiddly locking pins.

Key lockable, push-pull slam shut latches for ease of use and maximum security.

VEHICLE LIGHTING

VEHICLE LIGHTING 2



ICLE TING



ARB INTENSITY LED DRIVING LIGHTS

ENGINEERED IN AUSTRALIA AND MANUFACTURED IN THE USA, THE ARB INTENSITY LED LIGHT RANGE DELIVERS OUTSTANDING PERFORMANCE IN ALL CONDITIONS.

Available in a spot, flood or combination beam (model dependent), Intensity LED driving lights and light bars are vastly more efficient than traditional halogen lamps, producing a white light that is the closest possible colour to sunlight. This reduces eyestrain and driver fatigue whilst also performing brilliantly on corrugated roads by producing a broad field of light that helps diffuse visible vibration.

The lights feature an ARB engineered heatsink with numerous fins to help prevent heat damage to the LEDs and surrounding components. The heatsink also ensures the LED circuits run cooler and produce an optimum light output while extending the light's longevity.

ARB Intensity LED lights are engineered to withstand long periods of extreme conditions and are vibration certified to military standards, dust and waterproof to IP68 rating and are water submersible to 3m.

ARB Intensity LED driving lights are available in two sizes, both boasting 50,000+ hour lifespan. The AR32 model features 32 LEDs and the AR21 model has 21 LEDs. The AR21 was developed as an alternative for 4WDers with smaller bull bars where the AR32 could not be mounted.

ARB's innovative Intensity LED light bar has been designed for integrated fitment to the complete range of ARB bull bars. With 40 highly focused LEDs, the light bar completes ARB's Intensity lighting range, providing you with the best possible light source for safe night-time driving.



VEHICLE LIGHTING 95



AR32

AR32

Available in spot and flood beams, and featuring 32 LEDs with 50,000+ hour lifespan. An E-marked combination light beam is also available for the European market.

A GORE-TEX breather acts as a vent to protect against condensation and contaminants.

Hard coated, durable protective cover offers an additional shield against potential damage while off roading.

Virtually indestructible polycarbonate lens provides protection against road debris.

High pressure cast aluminium body for superior strength.

Protected against radio frequency (RFI) and electromagnetic (EMC) interference, the lights are also MIL810-STDG vibration certified and RoHS compliant.

Deutsch DT06 waterproof connectors.

Over and under voltage protection and integrated thermal management for optimal operation.

Multi-position stainless steel mounting bracket features a large footprint, versatile installation options, and a TIG weld for added strength.

AR21

Featuring 21 LEDs, with a 50,000+ hour lifespan, the AR21 is available in spot and flood beam.



AR21

AR40

AR40

Available in spot or combination beam, and featuring 40 LEDs with 50,000+ hour lifespan.

Virtually indestructible polycarbonate lens provides protection against road debris.

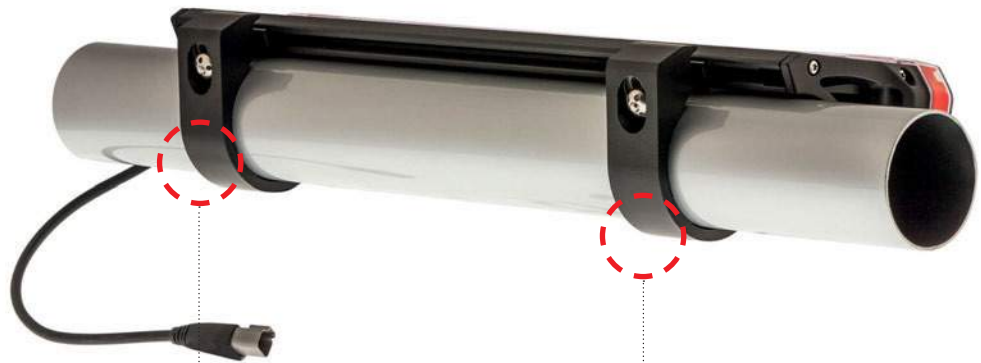
A unique moulded rubber seal between the polycarbonate lens and aluminium body provides a watertight and dustproof seal, allowing the light to achieve IP68 rating and submersion up to three metres.

Large, extruded aluminium body provides superior strength and acts as a heatsink to draw heat generated from the electronics away from the LED array, increasing the efficiency and life of the LEDs.



AR40 Intensity LED light bars are available in either a spot or combo beam to suit individual requirements.

High pressure cast aluminium end caps contain a Gore® breather, enabling expansion and contraction of internal air during temperature fluctuations, without allowing water or dust ingress.



Over and under voltage protection and integrated thermal management for optimal operation.

Different mounting kits are available to suit a number of tube diameters, designed to specifically fit ARB bull bars.

Each light is secured to the vehicle with an ARB tamper proof fastener. On the tube mounting kits, all fasteners are recessed within the clamp for increased security.

IPF DRIVING LIGHTS

THE EXTENSIVE IPF RANGE INCORPORATES LIGHT OPTIONS TO SUIT MANY DRIVING REQUIREMENTS, BE IT FOR OFF ROAD PLAY, COMPETITION USE OR LONG DISTANCE TRAVEL.



XTREME LED SPORT SERIES

Tough and lightweight, these lights feature high transparency, reinforced polycarbonate lenses for superior quality. With advanced heat proof reflectors, these extreme performance lights also incorporate water and dust resistant components for all off road conditions.

Features

- Available in either Spot (900XLSS) or Touring (900XLST) beam
- Unique designed "TRI-WALL REFLECTOR"TM
- 3 CREE high power LEDs
- Easy plug in, internally mounted high quality LED driver circuit with waterproof Deutsch DT-6 connectors
- Works with ARB driving light loom part number 3500520 (sold separately)
- Tough and lightweight, die cast aluminium body with magnified heatsink
- High transparency, hard coated, reinforced polycarbonate lens for superior durability, resistance to breakage and heat shock
- Reinforced multi directional mounting base with stainless steel cup, die cast alloy pedestal and M12 heavy duty stem
- Advanced heatproof resin reflector, incorporating a water and dust resistant membrane breather
- Existing 900XS clear covers fit (sold separately)
- Suits driving light locknut part number DLL12 for added security (sold separately)

Specifications:

Dimensions

- 200mm diameter x 121mm deep/7.87in diameter x 4.76in deep



801XS



901XS

801 & 901 XTREME SPORT SERIES

Designed for serious 4WDers, these extreme performance lights incorporate water and dust resistant components for maximum life expectancy, no matter what the conditions.

Specifications:

Dimensions

- Rectangular W214mm x H147mm x D112mm/W8.42in x H5.78in x D4.40in
- Round 200mm diameter x 115mm deep/7.87in diameter x 4.52in deep

Kit includes:

- 2 lights
- Complete snap together wiring loom and relay
- Mouse style LED switch
- 2 white protective covers



800XSH2T
800XSH2TS



900XSH2T

800 & 900 HIGH INTENSITY DISCHARGE SERIES

The HID series utilises the very latest High Intensity Discharge technology to produce the truest, most natural light possible.

Features

- Available in spot or driving beam
- Super tough, heavy gauge steel body
- Advanced heatproof resin reflector
- Reflector surface and design optimised to bulb design
- Hardened glass lens
- HID technology provides an incredibly powerful, yet energy efficient 'whiter' light
- Spot beam for long range performance
- Driving beam for greater spread
- Reinforced multi-directional mounting system
- Incorporates water resistant components but not designed for prolonged or deep submersion
- Internal ballast
- Supplied individually

Specifications:

Dimensions

- Rectangular W214mm x H147mm x D112mm/W8.42in x H5.78in x D4.40in
- Round 200mm diameter x 115mm deep/7.87in diameter x 4.52in deep

Kit includes:

- 1 light
- 1 white protective cover



868CS



968CS

868 AND 968 SERIES

Representing excellent quality and performance at a budget price, these lights feature a hybrid reflector, producing a combined spot and driving beam.



800SC



900DC

800 & 900 SERIES

The 800 and 900 series epitomises all of the reasons why IPF is a popular choice of lighting for many 4WD owners. Brilliant optics coupled with superb structural integrity result in an outstanding light, ideally suited to off road conditions.



930DC

930 SUPER RALLY

Designed for events such as the World Rally Championships, the stunning performance of the 930 series has made this light an obvious choice for competition use.

LIGHTING ACCESSORIES

Along with driving lights, a variety of other products including fog lights, headlight inserts and a complete range of lighting accessories are also available to suit your individual needs.

Accessories include:

- ARB Intensity LED light covers
- IPF headlight inserts and light covers
- 840 Series IPF fog lights
- IPF complete driving light kits
- Reversing and camp/work light kit
- ARB wiring looms
- A selection of bulbs to suit a variety of different applications
- Lock nuts and light stays



CAMP

CAMPING
100



P I N G





ROOFTOP TENTS

An ARB rooftop tent will provide the ultimate in ease and convenience when travelling. Mounted to the roof of a vehicle and unfolding in minutes, a rooftop tent keeps your sleeping quarters off the ground and protected from the elements.

Ideal for your next camping trip away, the Simpson III and Kakadu rooftop tents mean sleep-easy camping. Not only are they spacious and comfortable, but all bedding can remain

inside the tent during the journey, freeing up vital storage space in the vehicle. This also allows for a fast setup, the next morning, simply fold the tent, slip on the cover and drive away.

Able to be mounted using both ARB's purpose designed roof rack or roof bars, both tents can be mounted on a number of different angles for optimum versatility.

The optional zip-on annexe for the Simpson III provides additional space and storage and has enough room to fit two stretcher beds without obstructing access to the rooftop sleeping area. Storm flaps are incorporated into the annexe and fold inward to eliminate water ingress, with the option for individuals to add their own floor if they wish.



SIMPSON III

Made to the highest quality, the Simpson III rooftop tent is packed with features for extra comfort when camping. The pull-out verandah and optional annexe provide added space and protection from the elements, as well as offering total privacy when climbing in and out of the tent.

Features

- Manufactured from high quality, poly/cotton ripstop canvas with polyurethane coating for excellent waterproofing
- Incorporates Oxford polyester flysheet with optimum water shedding ability
- Sturdy retractable aluminium ladder
- High density bonded chip foam mattress with removable cover
- Pull out verandah and optional zip-on annexe
- Insect screened windows and doors
- UV stabilised laminated PVC cover
- Bungee cord system to assist when closing
- Size: W1400mm x L2400mm x H1300mm/W55.11in x L94.48in x H51.18in
- Easily mounted to ARB's purpose designed roof rack

KAKADU

Designed with warmer climates in mind, the Kakadu rooftop tent will make your off road camping adventures more enjoyable. Featuring increased ventilation and water resistant materials, the Kakadu is ideal for fitment to the rear of utility/pick-up vehicles and trailers where the floor level can be mounted lower to the ground without access issues.

Features

- Manufactured from high quality, poly/cotton rip stop canvas with polyurethane coating for excellent waterproofing
- Incorporates Oxford weave polyester flysheet with excellent water shedding ability
- Sturdy retractable aluminium ladder
- High density, single layer extruded foam mattress to reduce overall tent weight and to assist with folding during pack up
- UV stabilised laminated PVC cover
- Insect screened windows and doors
- Internal canvas window shutters offer protection during inclement weather
- All aluminium components feature an anodised finish for improved corrosion resistance and appearance
- Size: W1400mm x L2400mm x H1300mm/W55.11in x L94.48in x H51.18in
- Easily mounted to ARB's purpose built designed roof rack

SKYDOME SWAGS



ARB's SkyDome swag range provides a versatile, comfortable and convenient camping option when travelling off road.

From the outset, SkyDome swags had to meet a set of meticulously researched criteria to ensure they matched ARB's standards and delivered more features than other swags on the market. With a unique dome shape, the SkyDome provides a spacious interior that offers room to stretch out after a long day on the road.

The generous length, width and height of the swag contribute to the industry leading space from head to hip, eliminating the often claustrophobic feeling of a traditional swag and allowing you to relax, bend your knees or sit up in the SkyDome.

The freestanding design of the swag ensures it can be conveniently placed on any flat surface without having to rely on pegs and guy ropes. This allows the swag to be set up on sand, rock or even concrete, while the corrugated foam mattress provides comfort on any surface.

Outstanding in wet conditions, the SkyDome features a heavy duty PVC base with welded seams, making it fully waterproof. Extending up the side of the swag, the waterproof base further prevents water leakage from puddles or mild flooding while the SkyDome's heavy duty canvas top is also waterproofed.

Tested in the Outback, the SkyDome swag is available in a single or double configuration to suit the various requirements of travellers.



MESH MULTI MAT

The ARB mesh multi mat provides extra comfort when exploring the great outdoors and is created from a heavy duty mesh to protect your belongings from the harsh elements. Compatible with an ARB SkyDome swag and ARB awnings, the mesh multi mat has eyelets that are specifically placed to accommodate swag and awning poles, with additional perimeter peg down points for secure placement. The mesh multi mat can also be used as a shade sail, providing protection from the sun.

ARB BOOTSWAG

When designing the new range of SkyDome swags, the boot mat often found in other manufacturers' designs was intentionally omitted due to the nature of these flaps getting dirty and soiling the swag when rolled up.

The BootSwag is ARB's creative solution to this challenge and features a zippered front flap, large boot mat and a dome section made from waterproof Oxford fabric. Being a standalone item, the BootSwag can also be used with other touring products including the ARB roof top tents where it can be placed at the foot of the ladder.

SKYDOME SWAGS

Large sleeping area measuring L2150mm x W1400mm (84.50in x 55in) for the double swag and L2150mm x W900mm (L84.50in x 35.50in) for the single.

Freestanding dome design incorporates heavy duty 450gsm water and rot proofed canvas, tested to Australian standards.

Head awning with wide brim hat holder is accessible from inside or outside the swag.

Head and foot awnings feature multiple attachment points for reflective guy ropes and a solid support bar for reduced movement in windy conditions. External awnings provide protection in foul weather, while zippered internal head and foot storm flaps reduce dust entry.

Nickel plated brass eyelets for corrosion protection, and durable, elasticised 11mm/0.43in aluminium bows for easy assembly and storage.





Two internal, high mount hooks and Velcro holder suitable for items such as torches, lamps and keys, plus four integrated internal accessory pockets for storage of items such as a phone, wallet and drink bottle.



Large entry with nylon mesh door provides easy access, excellent ventilation and exceptional view of the night sky. All doors and windows feature YKK zips, while a rain gutter is incorporated into the main entry door to inhibit water ingress.

Waterproof heavy duty 820gsm PVC base with 75mm/2.95in high return protects against water ingress and the welded corners and PVC anchor tabs prevent water wicking through seams.

Comfortable 75mm/2.95in corrugated foam mattress with anti-microbial additives and a non-rustling, machine washable cover.

AWNINGS



108

Easy to mount and operate, these retractable awnings fit onto the side of most roof racks or roof bars and store neatly in a PVC bag or sturdy aluminium case for immediate use on arrival.

Specifically designed for harsh off road conditions and coming complete with hardware and comprehensive instructions, each awning is rugged yet lightweight and will provide fast, convenient shade and protection from the elements.

Features

- Size: 2500mm/98.42in, 2000mm/78.74in or 1250mm/49.21in long extends out to either 2100mm/82.67in or 2500mm/98.42in wide
- Self standing awning takes 30 seconds to deploy
- Manufactured from lightweight PU coated 300gsm poly/cotton canvas
- Waterproof & UV protected with a UVP 50+ rating
- Awning secured in UV stable laminated PVC bag or aluminium case
- Awning height adjustable with telescopic legs
- Guy ropes and pegs supplied for windy conditions



WIND BREAKS

Designed to angle out from ARB awnings, wind breaks offer additional protection from the rain while also providing extra shade and sun protection.

ARB wind breaks are ideal for creating extra protection and storage for items like swags and chairs under the awning.

Features

- Manufactured from lightweight PU coated 300gsm poly/cotton canvas
- Waterproof & UV protected with a UVP 50+ rating
- Designed to suit ARB 2500mm/98.42in, 2000mm/78.74in and 1250mm/49.21in model awnings
- Tie down points for each wind break further secures the awning



ALUMINIUM ENCASED AWNING

Complementing the design and sophistication of modern 4WDs, ARB's aluminium encased awning offers a sleek and contemporary alternative to traditional awning covers while adding improved functionality. The three quick release bungee cords remove the need for zips while the flip-up lid provides unmatched simplicity. An added abrasion resistant material improves the protection of our proven 300gsm, PU coated, fully waterproofed and UV protected canvas while stowed and travelling. The awning is supported by heavy duty 1.2mm gauge x 25mm diameter expandable aluminium poles, anodised for greater corrosion resistance and perfect for setting up by the beach.

Features

- Aluminium housing offers strength and modern styling
- Quick release bungee cords on a hinged lid for unmatched simplicity
- Anodised aluminium for corrosion resistance, perfect for the beach
- PU coated canvas provides a 100% waterproof overhead shelter
- Ripstop canvas, a cross-hatched design, improves strength
- Heavy duty poles for greater resistance to poor weather conditions
- Compatible with awning rooms, wind breaks and mesh multi mat

ACCESSORIES

GUY ROPE SET & SUPERGRIP SAND PEGS

ARB's guy ropes and supergrip sand pegs will ensure your camping gear are firmly planted in the ground. The guy ropes are available in a two pack and feature reflective sections for better visibility in low light and the supergrip sand pegs are available in a handy four pack.





DELUXE AWNING ROOM WITH FLOOR

The Deluxe awning room with floor provides protection from the weather and insects, as well as additional privacy when camping and can be used as a fully enclosed room or mosquito net. Incorporating zipper operated two way solid and mesh access doors, the awning room is easy and quick to set up and can be used with 2500mm/98.42in and 2000mm/78.74in ARB awnings.

Features:

- Exterior walls are made from UV treated Oxford Polyester with ultra-fine insect mesh
- Heavy duty, bucket style polyethylene waterproof floor with heat taped seams
- Removable internal organiser pockets
- Supplied with hardened steel pegs and guy ropes
- High mounted cable access ports for cable guides and lighting solutions
- Heavy duty hooks for awning pole attachment

CAMP LIGHTS



MINI LED ADVENTURE LIGHT

With its massive 400 lumen light output, the ARB mini rechargeable LED adventure light is ideal for when you need to fend off the dark. Providing run times of up to four hours on half power and two hours on full power, this must-have accessory ensures you get all the light you need.

Features

- Water and shock resistant
- LED life expectancy of 50,000 hours
- High visibility durable canvas storage bag
- Versatile dual magnetic mounts and single hook mount
- Rechargeable battery



ADVENTURE LIGHT 600

The next generation adventure light is here. Offering more power and more unique features, the ARB adventure light 600 will make your life easier when you're on a camping or fishing trip, off road adventure, even in the workshop. With handy hooks and magnetic mounts the ARB adventure light 600 can be placed just about anywhere!

Features

- 6 hours of run time (on low)
- 3 hours of run time (on high)
- IP54 rating (dust protected, rain resistant)
- 600 lumen COB (chip on board) LED
- Rechargeable LI-ION battery
- Battery capacity display



LED HEAD TORCH

Delivering up to seven hours run time, the head lamp features a comfortable elastic head band, convenient hinge for vertical beam adjustment, and an anodised aluminium body with focus adjustment for wide or narrow beam. Also featuring three light functions, it comes packaged with three Energizer AAA batteries for immediate use.

CAMPING ACCESSORIES



4X4 TRACKPACK

A versatile bag, with handy dividers (complete with key icon identifiers) to store smelly rubbish and recyclables. Made to hang on the back spare wheel of a 4X4 the TrackPack can also be used to keep wet towels and clothes from a day 4WDing. The 4X4 TrackPack also has compartments to store smaller items like keys and has a mesh bottom for easy cleaning and drainage.



SWAG BAGS

Developed specifically for storage and transit of the ARB SkyDome swags, these bags feature moulded rubber carry handles on either end, along with a removable shoulder strap. Unique to the swag bag is four adjustable tie down straps integrated into the bag that allow it to be secured to a roof rack without the need for additional straps.



STORM BAGS

Stylish in design, ARB's storm bags come in two sizes and feature PU coated Oxford weave fabric and rubber construction, with all seams heat sealed and taped to ensure storm proofing. A roll up top closure and 'sure grip' buckles create a water resistant seal that means no zipper to contend with. Not only are they a good looking bag for travel, they are also 'storm proof' so they can be loaded onto a roof rack or thrown into the back of a ute without the worry of your gear getting wet.



COOLER BAG

Insulated to keep your food and drinks cool on warmer days, the ARB cooler bag incorporates strong carry straps with a padded handle, an external elastic strap for packing additional items, and external zip and Velcro pockets for smaller items such as keys, wallet and phone. Each cooler bag incorporates a reinforced base for durability and a unique style ARB bottle opener/corkscrew. Manufactured from tough PU coated Oxford weave fabric, the ARB cooler bag is a convenient addition to your off road kit.



TOILETRIES BAG

Adding to ARB's range of cargo gear products, the ARB toiletries bag keeps personal hygiene products together in a compact manner.

Designed to hang open for easy access, the bag features a large internal capacity with multiple mesh and zippered pockets to hold a multitude of bathroom essentials. Also included is a removable mirror and removable internal quick dry mesh pocket with hook for hanging items such as shampoo and conditioner in the shower.



CAMPING CHAIRS

Rated to 150kg/330lb, ARB's range of camping chairs provides comfort and practicality around the campfire.

Featuring a convenient solid moulded clip-on table, complete with drink holder, padded seat and backrest for extra comfort and mesh pockets to stash belongings, these handy chairs keep everything at arms reach.



TOASTIE BRANDER

The ARB Toastie Brander is designed to make toasted sandwiches on the coals of an open fire or portable burner. Consisting of two cast iron plates, the Toastie Brander can cook a variety of sandwiches and as the name suggests, brands the ARB logo onto both sides of the sandwich.

FREE FREE

FRIDGE FREEZERS
114



RIDGE FREEZERS





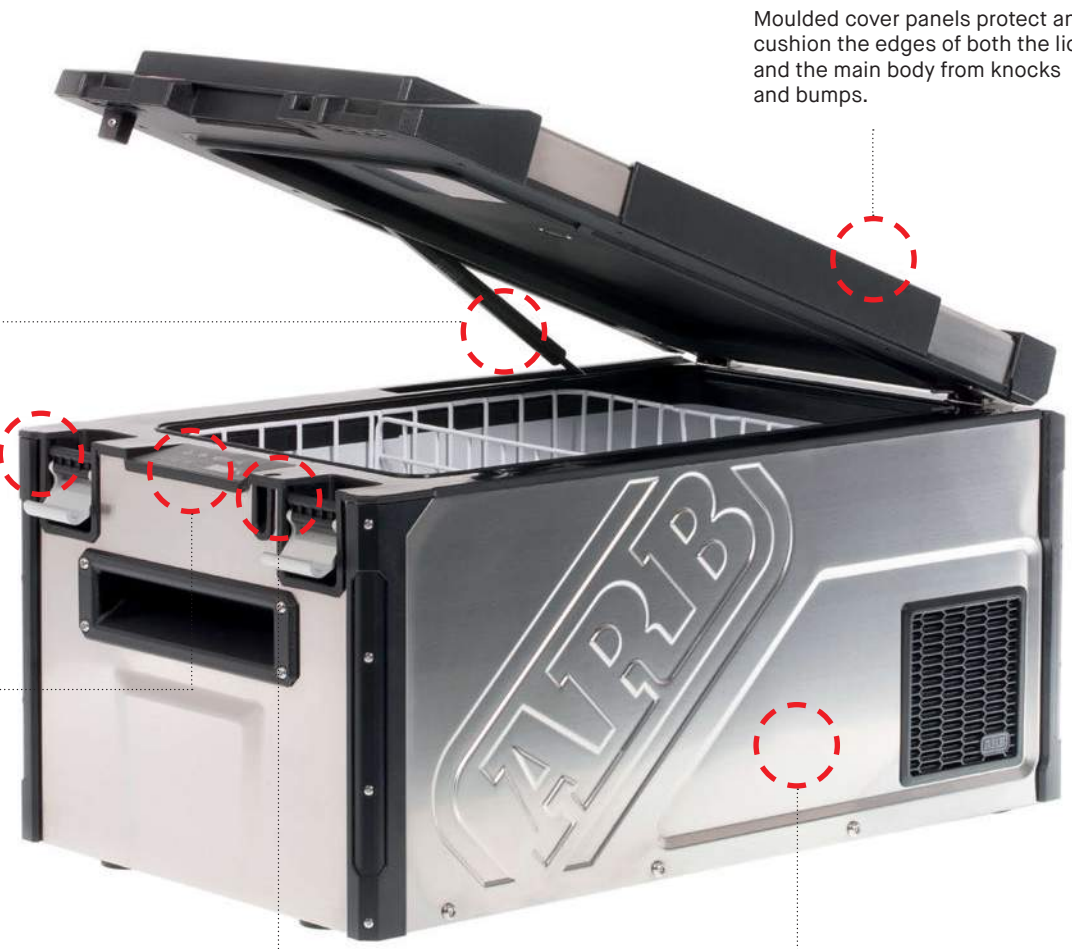
ELEMENTS WEATHERPROOF FRIDGE FREEZER

ENGINEERED TO WITHSTAND THE HARSHTEST CONDITIONS, AND MADE TOUGH ENOUGH TO PERMANENTLY MOUNT IN THE BACK OF AN OPEN PICK UP BED, THE ELEMENTS FRIDGE FREEZER IS THE ULTIMATE 4WDER'S FRIDGE.

Unique gas strut holds the lid open in any position (from closed to upright), keeping both of your hands free to grab items from within.

Anodised aluminium over-centre latches keep the lid securely closed during off road travel.

Sealed, dimmable control panel allows control of all functions and displays important operating data including temperature and battery input voltage. For added security, the panel is partially covered with the lid closed, preventing unwanted tampering, and an electronic PIN lock keeps contents safe while unattended.



Moulded cover panels protect and cushion the edges of both the lid and the main body from knocks and bumps.

Provision for additional padlock security.

304 grade stainless steel exterior provides exceptional protection from the elements.

FRIDGE FREEDOM

A fridge freezer is one of the most important necessities when going on a trip away. There's nothing better than reaching your destination with the ability to crack open a cold drink and enjoy your surrounds, without the worry of warm drinks and soiled food.

When it comes to refrigeration on the move, ARB has got you covered with a total of five models in the portable fridge freezer range. Each of our fridge freezers are ideal for a myriad of situations, from fishing and weekend camping to serious off road tours.



Heavy duty, tamperproof cast stainless steel hinges offer exceptional strength and durability.

Recessed carry handles reduce overall length, taking up less space in the back of the vehicle.

Drain channel allows water to escape from the gas strut compartment.



Tamperproof bolts allow fitment of optional permanent mounting brackets.

Provision for recessed, optional remote fridge monitor transmitter.

Staggered height, recessed power connections and cable retention strap provide protection from the elements.

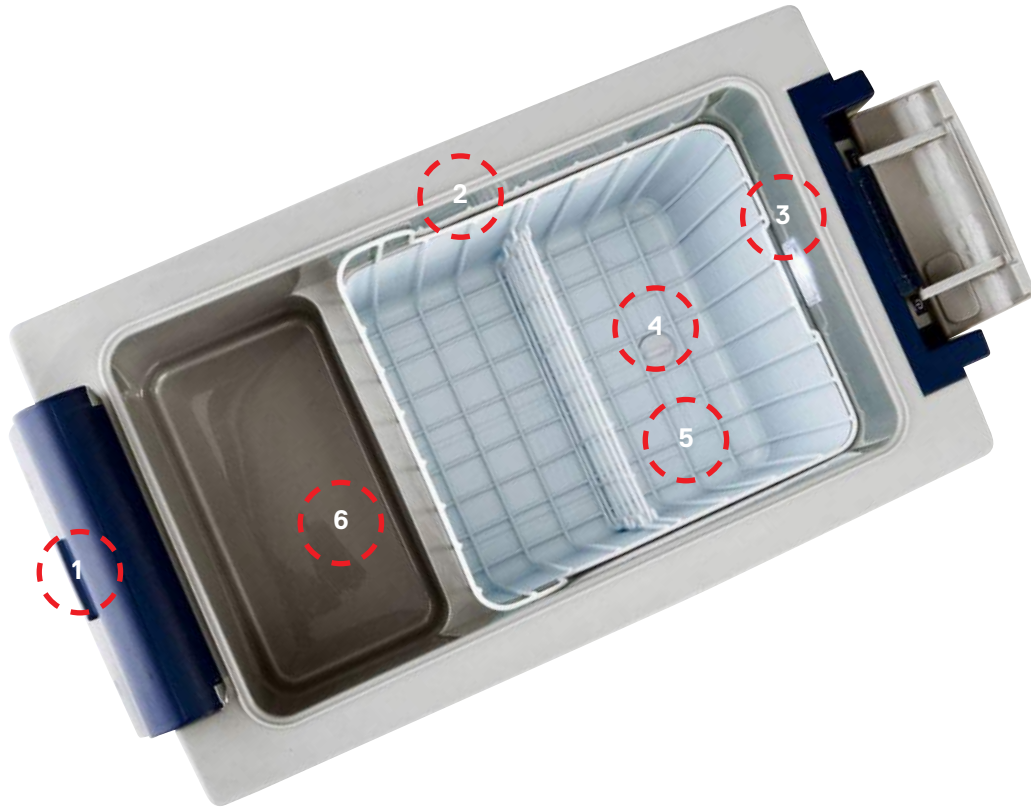
INTERNAL FEATURES

- Full height evaporator surrounds both the main and secondary cabinets for increased temperature consistency
- Reversible basket with removable divider allows storage of larger items
- Slimline LED rear facing interior light
- Increased insulation thickness reduces runtime and power consumption
- Drain plug in main cabinet allows easy cleaning and draining of spills

CLASSIC FRIDGE FREEZER RANGE



INTERNAL FEATURES



Brilliantly researched and engineered, the classic ARB fridge freezer is acclaimed in the 4WDing industry for its durability, meticulous design and ease of use.

The award winning design incorporates a drain plug, internal LED light and durable 90° fold back hinge that assists ease of use by keeping the lid open whilst removing items from the fridge.

An integrated battery protection system prevents excessive discharge of a vehicle's battery by allowing the user to select the minimum operating voltage.

The classic range of fridge freezers are available in four convenient capacities to suit your individual needs.



- 1. Rear clips:** Rear clips secure 12/24V and 100-240V cables, preventing the plug from being accidentally disconnected
- 2. Reversible basket with divider:** Allows multiple content storage options by separating fridge contents or alternatively allowing longer items to be positioned along the length of the cabinet.
- 3. Internal LED light:** Low power draw LED light with magnetic switch will turn off when the lid is closed.
- 4. Drain plug:** Integrated into base of the fridge for effortless cleaning.
- 5. Integrated evaporator:** Designed as an integral part of the interior cabinet, ensuring simplified cleaning and optimum use of internal storage space.
- 6. Capacity:** Optimised internal cabinet includes separate compartment for fruit and dairy.

EXTERNAL FEATURES



1. Durable detent hinge: Stainless steel detent hinge ensures the lid can be easily removed and securely slid back into place.

2. Lid and integrated seal: Tough, two piece injection moulded lid incorporates recessed seal, minimising wear and damage.

3. Durable case: Powder coated, robust zinc steel casing is designed to withstand extreme off road conditions.

4. Front latch: Simple to use, large over-centre cam lock latch provides a positive seal between the lid and cabinet for optimum cooling efficiency.

5. Control panel: Easily accessible, recessed front control panel with maintenance-free digital temperature display (no dedicated battery required).

6. Recessed handles: Powder coated, steel handles are engineered to double as tie down points.

7. Rubber feet: Integrated into fridge base for increased grip and stability.

8. Secop compressor: Highest quality, Secop (formerly Danfoss) compressor with smart electronic control system enables rapid cool down to target temperature.

THE RANGE

AVAILABLE IN FIVE USER-FRIENDLY CAPACITIES, THE ARB FRIDGE FREEZER SUITS A MYRIAD OF SITUATIONS, FROM FISHING AND WEEKEND CAMPING TO SERIOUS OFF ROAD TOURS.

35L/37QT



SPECIFICATIONS

Capacity
35L/37QT (50 x 375ml cans)

Cooling capacity
+10°C to -18°C/50°F to 0°F

Weight
20.7kg/45.6lb

External dimensions

H428mm x W380mm x D705mm/H16.9in x W15in x D27.8in

Internal dimensions

Dairy/fruit compartment:
H126mm x W285mm x D151mm/H5in x W11.2in x D6in
Main compartment:
H321mm x W285mm x D337mm/H12.6in x W11.2in x D13.3in

Power

Built-in 12/24V DC and 100-240V AC power
Integrated battery protection system

47L/50QT



SPECIFICATIONS

Capacity
47L/50QT (72 x 375ml cans)

Cooling capacity
+10°C to -18°C/50°F to 0°F

Weight
22.5kg/49.6lb

External dimensions

H508mm x W380mm x D705mm/H20in x W15in x D27.8in

Internal dimensions

Dairy/fruit compartment:
H206mm x W285mm x D151mm/H8.1in x W11.2in x D6in
Main compartment:
H401mm x W285mm x D337mm/H15.8in x W11.2in x D13.3in

Power

Built-in 12/24V DC and 100-240V AC power
Integrated battery protection system

60L/63QT



SPECIFICATIONS

Capacity
60L/63QT (90 x 375ml cans)

Cooling capacity
+10°C to -18°C/50°F to 0°F

Weight
24.5kg/54lb

External dimensions

H428mm x W450mm x D845mm/H16.9in x W17.7in x D33.3in

Internal dimensions

Dairy/fruit compartment:
H126mm x W355mm x D151mm/H5in x W14in x D6in
Main compartment:
H321mm x W355mm x D477mm/H12.6in x W14in x D18.8in

Power

Built-in 12/24V DC and 100-240V AC power
Integrated battery protection system

78L/82QT



SPECIFICATIONS

Capacity
78L/82QT (120 x 375ml cans)

Cooling capacity
+10°C to -18°C/50°F to 0°F

Weight
27.1kg/59.7lb

External dimensions

H508mm x W450mm x D845mm/H20in x W17.7in x D33.3in

Internal dimensions

Dairy/fruit compartment:
H206mm x W355mm x D151mm/H8.1in x W14in x D6in
Main compartment:
H401mm x W355mm x D477mm/H15.8in x W14in x D18.8in

Power

Built-in 12/24V DC and 100-240V AC power
Integrated battery protection system

60L/63QT ELEMENTS



SPECIFICATIONS

Capacity
60L/63QT (90 x 375ml cans)

Cooling capacity
+10°C to -18°C/ 50°F to 0°F

Weight
31.8kg/70.10lb

External dimensions

H440mm x W490mm x D820mm/H17.32in x W19.29in x D32.28in

Internal dimensions

Dairy/fruit compartment:
H144mm x W355mm x D156mm/H5.66in x W14in x D6.14in
Main compartment:
H332mm x W355mm x D477mm/H13in x W14in x D18.77in

Power

Built-in 12/24V DC and 100-240V AC power
Integrated battery protection system

FRIDGE FREEZER ACCESSORIES



PROTECTIVE COVERS

ARB's transit bag is made from tough, durable canvas and is designed to protect the classic fridge freezer range from dents and scratches whilst providing extra insulation in extreme temperatures.

The bag incorporates a handy side storage pocket, a mesh panel to provide better air circulation to the compressor and is available in an attractive navy blue. Added features include openings for the fridge freezer's rubber feet, drain plug hole and power cables.

The ARB transit bag is now available for the ARB Elements Weatherproof 60L/63QT Fridge Freezer.



FRIDGE SLIDES

Designed with a flat mounting base for easy, secure fitment to either side of the rear of your vehicle, the fridge slide range includes sealed roller bearings to prevent dust and grit ingress and ensure a consistent, clean slide. The clever lock in/lock out mechanism guarantees that the slide stays in the extended position regardless of the angle your vehicle is on.

A simple solution for easy fridge access, the standard fridge slide is available in a number of sizes to accommodate the full range of ARB fridge freezers, including the new Elements weatherproof fridge freezer.

The full extension fridge slide allows 35L/37QT and 47L/50QT ARB fridge freezers to be pulled out to 100% extension. Designed with a maximum load of 120kg/264lb, the fridge slide allows 80kg/176lb on the main tray and 40kg/88lb on the cleverly designed accessories tray located at the rear.



WIRING LOOM

The ARB wiring loom is ideal for running power to a multitude of 12/24V DC items, including ARB's fridge freezers.

With a variable length main loom to optimise the length of the cable, the wiring loom has been designed to reduced voltage drop compared to many equivalent factory wiring looms.

Eliminating low voltage cut-out caused by inadequate factory wiring, the loom will ensure your ARB fridge freezer delivers optimum performance no matter where your adventures take you.



FRIDGE FREEZER MONITOR

Utilising clever wireless technology, the ARB remote fridge freezer monitor displays the operating conditions such as internal fridge temperature, supply voltage and compressor status of your ARB fridge freezer on a conveniently located backlit display for the driver to monitor whilst in transit.

The monitor is capable of displaying up to two fridges with the addition of a second transmitter with a range of selectable channel frequencies. Easy to install, the monitor is supplied with a quick release bracket and mounting system.



TIE DOWN AND PERMANENT MOUNTING SYSTEMS

An ARB tie down or permanent mounting system is the ideal solution to ensure your fridge is secured and protected in all conditions.

Complementing the classic fridge freezer's design, the black powder coated steel clamps and plastic coated ends, matched with webbing straps and quality spring loaded clips, provide a functional way to secure your fridge.

The tie down system for the Elements fridge freezer attaches directly to the fridge via replacement bolts in the recessed handle and incorporates a bottle opener on each strap to enable instant access to cold beverages.

An optional permanent mounting kit for the Elements fridge freezer utilises existing tamperproof bolts in the fridge to ensure it stays where it should.



POWER SOLUTIONS

R ONS



ARB AUXILIARY BATTERY SYSTEMS

OFFERING AN INDEPENDENT POWER SOURCE FOR ITEMS SUCH AS FRIDGES AND CAMP LIGHTS, AND PROVIDING ADDED POWER WHEN WINCHING, AN AUXILIARY BATTERY SYSTEM ALSO OFFERS THE FOUR WHEEL DRIVER PEACE OF MIND IN THE EVENT OF A MAIN BATTERY FAILURE.





BATTERIES

Tough and reliable batteries are essential both on and off road, especially when used in applications such as winching or running accessories such as fridges and camp lighting. ARB dual battery trays and kits are designed to suit a range of cranking and deep cycling batteries depending on vehicle model. ARB stocks both Century Yuasa and Optima batteries.

AUXILIARY BATTERY KITS

Manufactured from 2mm powder coated steel, ARB vehicle specific auxiliary battery trays are available separately or as part of a comprehensive kit.

- Offers an independent power source for running accessories such as 12V fridge/freezers, camp lighting and inverters
- Isolates the main battery to ensure full power for starting
- Compatible with a range of REDARC isolators and DC-DC chargers
- Steel dual battery box available for tub mount applications
- Kits include all mounting hardware, factory terminated wiring and either an isolator or DC-DC in-vehicle charger (vehicle model dependent)

NOTE: Fitment of the ARB Dual Battery tray to LHD vehicle models is unconfirmed.





WITH OVER 30 YEARS EXPERIENCE IN THE RESEARCH, DESIGN AND MANUFACTURING OF ELECTRONIC BATTERY MANAGEMENT SYSTEMS, REDARC PROVIDES INNOVATIVE PRODUCTS TO FULFIL THE INDIVIDUAL REQUIREMENTS OF THEIR CUSTOMERS.



POWER SOLUTIONS



SMARTSTART SBI DUAL BATTERY ISOLATOR

The REDARC SmartStart SBI isolator series is designed as a solenoid priority system for use in multi-battery applications, and protects the starting battery from excessive discharge whilst allowing the auxiliary battery to supply non-essential loads. Only when the starting battery's voltage reaches 13.2V will the auxiliary battery start charging, and if the system drops below 12.7V, the auxiliary battery disconnects, maintaining the main battery's charge.

Offering surge and spike protection, the SBI series can be used with modern ECU controlled alternators, and are suitable if the two batteries are not the same (e.g. cranking and deep cycle). For maximum durability, the SBI series has been designed to operate in a vehicle's engine bay next to the start battery, with a silicone encased microprocessor for protection, and terminal protectors to help prevent accidental short circuiting.



BCDC IN-VEHICLE CHARGER

Most vehicle alternators are not designed to fully charge your second battery, but REDARC's 20 amp in-vehicle charger maintains an optimal charge in your auxiliary battery. Able to be operated from a 12V or 24V vehicle, the charger's advanced electronics ensure that your auxiliary battery always receives the optimum voltage and current for maximum battery life and performance. Also a highly advanced battery isolator, the charger prevents your primary battery from draining if your auxiliary battery falls below a certain voltage.

REDARC also offer a 40 amp multi-stage charger that incorporates a Maximum Power Point Tracking (MPPT) solar regulator to ensure the maximum amount of power from your solar panels is delivered to your auxiliary battery even in cloudy conditions.



LITHIUM DC-DC IN-VEHICLE CHARGER

Designed for the harshest of conditions, and suited for charging Lithium Iron Phosphate type batteries, REDARC's Lithium DC-DC chargers offer improved storage capacity, flexible installation in 12V vehicles and the freedom to harness solar power. The Lithium chargers come in both 25 amp and 40 amp models, feature a Maximum Power Point Tracking (MPPT) solar regulator, and are available for vehicles with a Variable Voltage Alternator.



MONOCRYSTALLINE SOLAR PANELS

Perfect for the roof of your caravan, camper trailer or motor home, REDARC monocrystalline solar panels are designed to survive in the harshest of conditions. Available in four popular sizes, the panels are designed specifically for camping and caravanning with a 12V output, and feature a rugged aluminium frame with no visible fixings.



FOLDING MONOCRYSTALLINE SOLAR PANEL KITS

Offering all of the benefits of the regular monocrystalline panels, the folding kits are mounted on a sturdy aluminium frame with fold out legs for versatile panel placement. The kit includes a choice of 90, 120 or 150 watt solar panels, a regulator and an LCD display monitor that gives real time monitoring of your solar panel performance. The standalone regulator allows you to locate the regulator close to your battery, minimising voltage drop and ensuring your auxiliary battery receives maximum charge.



SOLAR BLANKETS

Able to be draped over your windshield, awning or just spread out on the ground, REDARC solar blankets are designed to be a tough, highly efficient solar energy solution. The amorphous solar blankets are laminated onto a durable canvas backing, produce energy even in low light or partial shade, and can be easily folded up and safely stored in the boot of your vehicle.



SMARTSTART BATTERY MANAGEMENT SYSTEM

The SmartStart battery management system is a complete battery charging and maintenance solution for recreational, automotive and marine applications. It incorporates AC, DC and solar inputs to achieve the best charge to a house battery in your caravan or camper trailer. The SmartStart battery management system includes a remote control designed to give you battery information and charge status, along with critical system information, while charging is in progress.



SOLAR REGULATORS AND MONITORS

Solar regulators ensure that the power supplied by your solar panels is at the optimum voltage to charge your batteries, while remote monitors ensure all vital information is readily available. Providing three-stage charging for various battery types, REDARC solar regulators also protect your battery from overcharging. The REDARC remote monitor allows users to keep track of how their solar panels and batteries are performing. The large, backlit LCD display monitors solar panel voltage and current, with a real time battery voltage display.



TOW-PRO ELITE TRAILER BRAKE CONTROLLER

The Tow-Pro Elite is the next generation electronic brake controller by REDARC, now featuring active calibration, which constantly monitors the direction of travel, removing the need for calibration when installed. Offering users the ability to swap between an Automatic mode for highway driving and User-Controlled mode for off road. The unit can operate both electric and electric/hydraulic trailer brakes with a smooth trailer braking response. The Tow-Pro Elite is compact in size, meets ADR21 safety standards and is suitable for all vehicles.



GAUGES

REDARC's range of 52mm/2.04in gauges are designed to monitor the critical aspect of a vehicle's health when travelling on and off the road. There are twelve variants in the range that combine dual or triple functions and have selectable backlight colours and two programmable warning colours. Suitable for 12V applications (or 24V with optional adapter) REDARC gauges will ensure there are no unfortunate mishaps.

GENERATION ACCESS

4x4 ESSENTIALS

128



AL SORIES



SAFARI SNORKELS

PROTECTING YOUR ENGINE FROM DUST AND WATER INGESTION IS ESSENTIAL FOR KEEPING YOUR 4WD ON THE TRACKS. A SAFARI SNORKEL WILL ENSURE THAT CLEAN, DRY AIR IS ALWAYS AVAILABLE, REGARDLESS OF THE CONDITIONS.





Created to protect 4WD engines from the hazards of dust and water ingestion commonly encountered in off road driving, Safari snorkels relocate your air intake point from the relatively low and vulnerable position under the bonnet to a higher and safer location, where a constant source of cool, clean, dry air is available.

Manufactured in Australia from premium quality polyethylene, Safari snorkels are UV stable and incredibly resilient to withstand the harsh outback environment. All systems are individually designed to suit most popular 4WDs and undergo thorough research and testing prior to being tooled for production.

Safari snorkels are positively sealed to provide the ultimate in engine protection during river crossings and dusty desert driving conditions, while the quality fixtures and fittings ensure superior appearance and durability.

ARMAX™

Designed and tested on a custom built flow bench, the ARMAX range allows 25% to 70% more airflow than the vehicle manufacturers' standard air cleaner housing, whilst also providing a watertight raised air intake.

This ensures that if the vehicle owner wishes to increase their vehicle's engine performance (utilising engine management, exhausts, upgraded intercoolers etc.), the Safari ARMAX™ snorkel will provide the necessary airflow required.

- Lifetime warranty
- Designed and flow tested by Safari engineers
- High flow air ducting and body ensures air supply is in excess of engine requirements
- Each component is designed for maximum dust and water sealing
- Stainless steel plated hardware for corrosion resistance
- Unique separation system effectively disperses rain and unwanted moisture
- Developed to flow 30% more air over a standard Safari snorkel
- Works in tandem with other performance modifications
- Created from industrial spec UV stabilised polyethylene

VSPEC

The traditional Safari snorkel range

- Lifetime warranty
- Primarily suited to newer, current model vehicles
- Created from industrial spec UV stabilised polyethylene

RSPEC

For the budget conscious 4WDer

- Five-year warranty
- Primarily suited to older vehicles, suiting non-current models only
- Created from recreational spec UV stabilised polyethylene

TYRE ACCESSORIES



SPEEDY SEAL PUNCTURE REPAIR KIT

Coming in a compact carry case, the Speedy Seal includes all of the components necessary to repair tubeless radial or cross ply tyres, without removing the tyre from the vehicle or rim.

Contents

- Quality pencil type tyre gauge with dual pressure range and dual chuck
- Spring steel insertion needle and lubricant
- Additional valve accessories including valve core tool, spare valves and valve caps
- Hardened steel reamer tool
- 40 self vulcanising repair cords for complete air sealing and included blade for repair cord trimming
- Two Allen keys supplied for tool disassembly
- Quality high visibility orange blow moulded case to keep contents protected
- Handy pliers for removal of foreign objects such as nails and shards from tyres



TYRE PRESSURE MONITORING SYSTEMS

ARB offers customers a range of tyre pressure monitoring systems (TPMS) that are easy to install and operate. ARB's TPMS is available in either a DIY External Sensor Kit, or Internal Valve Replacement Kit, both of which feature a small CIG operated display that shows all four tyre pressures in real time, detecting any punctures or high temperatures. Additional features include a 5V/1A USB port for charging other devices without removing the TPMS unit from the socket. Also available is the Sensor Partner, an optional accessory, which pairs internal sensors to the display when the position of the tyre is changed.



E-Z TYRE DEFLATOR

The unique, patented design of the E-Z Deflator allows for removal of the valve core for rapid tyre deflation, whilst also providing accurate tyre reading via the simple movement of a sliding valve.

Features

- Corrosion resistant brass/stainless deflator tool
- Bronze Bourdon Tube gauge design ensures accuracy is not affected by changes in temperature, humidity or altitude
- Fully geared, solid brass precision movement
- Protective rubber gauge guard
- Easy to read dial with 1psi increments
- Designed and thoroughly tested to ensure accuracy
- Includes protective canvas pouch and instruction sheet

ARB also stocks a range of gauges and inflators. Information on these can be found in the Air Systems section.



AVM HUBS

AVM free wheeling hubs are a quality, tough and dependable replacement for factory fitted hubs. Used to connect or disconnect the front axle assembly on part-time 4WD models, they can also be fitted to early model 4WDs that have fixed hubs to stop the unnecessary differential rotation and resulting wear.

AVM hubs are easily fitted and feature a heat treated steel clutch ring for faultless torque transmission. They are built from corrosion resistant materials and provide positive clutch ring positioning, with engage/disengage springs totally independent. ARB carries a complete range of hubs and service kits for a number of vehicle makes and models.



ARB INFLATION CASE

The ARB Inflation case is perfect for keeping all your air accessories in the one place. With separate compartments to fit ARB inflation, deflation, gauges, hoses and general air accessories, this handy case will ensure you'll never misplace anything again.



TYRE VALVE CAPS

The finishing touch to your kitted out 4x4, or the perfect gift for a 4x4 novice, ARB's valve caps are made from durable anodised aluminium and feature the ARB logo on top. These valve caps are available in red, black and silver, with each pack containing five caps.

FRONTIER LONG RANGE DIESEL TANK





The ARB Frontier long range diesel fuel tank is proudly made in Australia and sets the benchmark for long range fuel tanks around the world. The one piece construction of the Frontier tank is less than half the weight of a steel tank and utilises the existing vehicle mounting points.

Manufactured from a resilient, impact resistant, cross-linked polymer, each Frontier tank offers incredible strength and rigidity and the UV stable plastic ensures these tanks will not rust or corrode, making them strong enough to handle the most hostile environments.

With a wall thickness of 7-9mm/0.27-0.35in, every Frontier long range tank is individually pressure tested and backed by an industry leading three-year warranty.

The ARB Frontier tank is available for a number of vehicles, which will continue to expand over time.

Features

- Less than half the weight of a comparative steel tank
- Utilises existing vehicle mounting points
- One-piece construction
- Proudly made in Australia by ARB
- Will not rust or corrode
- 100% pressure tested
- Tough, impact resistant plastic
- Three-year warranty

TANK VS TANK

ARB Frontier tanks are designed to handle the harshest of off road conditions. To prove it we put one head to head with a 60 tonne/132,277lb tank. Watch the result at arb.com.au



FRONTIER LONG RANGE DIESEL TANK

ADDITIONAL FUEL IS ESSENTIAL WHEN TRAVELLING IN REMOTE LOCATIONS OR FOR LONG DISTANCE TRAVEL. THE ARB FRONTIER DIESEL FUEL TANK IS A GREAT OPTION, WITH A RANGE AVAILABLE TO SUIT YOUR VEHICLE NEEDS.

Each tank utilises a vehicle specific fuel pump module sealing flange, which prevents leakage and eliminates distortion of the mounting area.

CNC machined from 8mm/0.31in thick steel, the fuel pump module sealing flange is zinc plated for resistance against corrosion.

Each Frontier tank is designed specifically for each vehicle to maximise the available capacity.

The use of Polymer enables more intricate shapes to be manufactured, ensuring the largest possible volume is achieved.

The Frontier tank is made from a crosslinked polymer, which is between 30%-60% lighter than traditional long range steel tanks.

With a wall thickness of between 7mm/0.27in and 9mm/0.35in depending on the model, the flexible polymer is resistant to UV, chemicals, fire and heat, as well as providing excellent strength and impact resistance.

Steel mounting straps attach to the underside of the vehicle and provide a non rigid mounting system, allowing for movement of the tank within the chassis.

The rubber coated steel mounting straps have been designed to meet the extra load requirements and attach to original mounting points within the vehicle chassis, keeping the tank secure and allowing fast and easy installation.





Designed and tested to go the distance.

Prior to leaving the factory, all Frontier tanks are pressure tested to confirm optimal tank structure and seal integrity.

Quality hardware is used throughout the Frontier tank range.

Each Frontier tank is fitted with a fully machined filler neck milled from aluminium, allowing for fast, easy fuel delivery. Additionally, a vent valve provides ventilation to the tank and incorporates a one way valve to prevent fuel leakage in the event of a vehicle rollover.

The roto moulding manufacturing process allows for a one-piece construction.

This results in no welds or seams in the design, providing exceptional strength and impact resistance.

BUSHRANGER



Off road trips not only require an adequately equipped vehicle but also a range of general accessories to suit various off road situations. Bushranger offers a range of practical equipment to improve the capabilities of 4WDs and compact SUVs.

From portable power tanks that allow you to run auxiliary electrical equipment without using the vehicle's battery, to BushPAKs that protect your belongings from the elements, Bushranger has a host of accessories to make off road travel easy and accessible to all.

Bushranger also manufactures a number of smaller accessories that can be extremely useful in a variety of outdoor circumstances, including compact tools and tyre repair equipment. Having the right gear for an unexpected situation can mean the difference between continuing on within a few minutes or delaying a trip for hours.

Products Include

- Lightbars
- Kingsley side steps
- Flexy flares
- Auxiliary driving lights
- Power tanks
- Portable & on-board air compressors
- Tyre repair equipment
- Recovery straps, kits and equipment
- Hot water showers
- Moulded, rectangular & tailgate cargo mats
- BushPAK, Rack Sack & Wheelie Bin storage
- Compact tools

FUEL & WATER TANKS



LONG RANGER FUEL AND WATER TANKS

Increased fuel capacity is essential for any 4WD heading into remote areas. Providing safe fuel storage without compromising important vehicle departure angles, Long Ranger auxiliary and replacement tanks are manufactured from 2mm aluminised steel for strength and durability.

Every tank is individually checked and pressure tested before painting and features internal baffling, anti-surge dam, inbuilt expansion chamber, low stress chassis mounts and the option of fuel and water combination tanks.



WATER TANK

Allowing up to 30L/8 gallons of water to be carried, the ARB water tank is essential for any off road adventure or camping trip.

Universal in design, the tank can be fitted to most drop side tray vehicles, flat bed trailers and trucks, and can be configured for left or right side vehicle mounting. Made from durable cross linked polyethylene, it incorporates dual outlet ports, a universal mounting kit and quality stainless steel hardware.



FUEL AND WATER CONTAINERS

When carrying additional fuel, it is essential that it is stored in specifically designed containers. ARB stocks traditional metal style jerry cans that store either petrol or diesel, with each can tested to be tough, durable and corrosion resistant. Water containers, which are designed to prevent water from becoming tainted, are also available.



ROOFTOP BAGS

When gear is stowed in the roof rack basket of your vehicle, it is exposed to the elements and may be damaged over time. To prevent this, the Bushranger BushPAK and Southern Cross range of canvas roof bags are perfect for protecting your belongings.

EXTERNAL ACCESSORIES

ARB'S RANGE OF 4WD ACCESSORIES ALSO INCLUDES A SELECTION OF SMALLER, BUT STILL EXTREMELY IMPORTANT PRODUCTS TO COMPLEMENT YOUR VEHICLE AND ENSURE YOU'RE PREPARED FOR ANY OFF ROAD ADVENTURE.



CARGO GEAR

ARB carries a comprehensive selection of cargo gear to ensure luggage and equipment is safely stowed.

Aluminium tracks and load rings will provide load securing points for racks, trailers and cargo areas, and come in a number of different configurations to tailor to your specific needs.

Coming in packs of two, our cambuckle tie down straps will provide a quick and simple way to secure your load to racks, trailers and cargo areas.

Our ratchet straps are ideal for heavier items and come in several sizes and ratings.



KAYMAR



KAYMAR REAR BARS AND WHEEL CARRIERS

Along with wheel carriers to suit standard bumpers, Kaymar rear bars are available for most vehicles to accommodate a spare wheel carrier, jerry can holder or a combination of both. Please contact ARB to obtain details of the models available for your 4x4.

FIRST AID KITS



FIRST AID KITS

ARB's first aid kits are the perfect vehicle companion, allowing you to be prepared for life's unavoidable accidents.

Each kit is supplied in a soft case made from heavy duty PVC backed nylon, specifically designed for convenient storage and easy access in an emergency situation.

The first aid kits are available in 3 sizes, feature clear pockets for easy identification and fold out compartments for convenient access.

The two larger kits have been designed with a sturdy carrying handle, and the Snake and Spider Bite Kit has a convenient belt strap, keeping your hands free when bush walking or on the go. All three first aid kits include a contents list for easy replenishing.

Available kits:

- Family First Aid Kit (includes Snake and Spider Bite Kit)
- Personal First Aid Kit
- Snake and Spider Bite Kit

ACCESSORIES



JUMP STARTER

The lithium powered ARB Jump Started has plenty of power to start a 12V vehicle with engine capacity up to 5L V8 Diesel or 6L Petrol.



MAP POCKETS

Handy map pockets are easy to install and include mini pockets to house your mobile, keys or sunglasses.



ROOF CONSOLES

Roof consoles feature a faux leather finish, and incorporate radio mountings, a lined storage locker and passenger and driver side map lights.



TOP SHELVES

Top shelves are ideal for mounting radios and are available with optional swivel map lights.

VEHICLE ACCESSORIES

VEHICLE ACCESSORIES
144



TE ORIES



FORD RANGER

FORD RANGER
146





Accessory listing

ARB Alloy bull bar | ARB Summit Sahara bar | ARB Summit bull bar | ARB Commercial bull bar | SmartBar | Electric winches | ARB Intensity & IPF driving lights | ARB recovery points | ARB under vehicle protection | ARB Summit side rails and steps | Kingsley side steps | ARB Summit rear step tow bar | ARB roof racks | Kaymar rear bar & rear wheel carrier | ARB Ascent canopy | ARB Classic and Classic Plus canopies | ARB roof racks | ARB Air Locker locking differentials | Old Man Emu suspension systems | Outback Solutions drawers | Long Ranger fuel tanks | Safari snorkels | ARB Frontier tanks

1. Ford Ranger shown with ARB Summit bull bar, ARB Summit side rails and steps, ARB under vehicle protection, ARB recovery point, ARB Intensity LED driving lights, ARB roof rack, Safari snorkel. 2. ARB Summit rear step tow bar, ARB Summit side rails and steps, ARB roof rack, ARB Ascent canopy. 3. ARB Summit Sahara bar, ARB under vehicle protection, ARB recovery point, ARB Intensity LED driving lights, Safari snorkel. 4. ARB Alloy bull bar, ARB under vehicle protection, ARB recovery point, ARB roof rack, ARB Intensity LED driving lights, Safari snorkel. 5. ARB side rails and steps, Safari snorkel.

For more information or to customise your vehicle, visit arb.com.au



FORD EVEREST

FORD EVEREST

148





1



Accessory listing

ARB Summit bull bar | ARB Alloy bull bar | ARB Summit Sahara bar | SmartBar | Electric winches | ARB Intensity & IPF driving lights | ARB recovery point | ARB under vehicle protection | ARB Summit side rails and steps | Kingsley side steps | ARB Air Locker locking differentials | Old Man Emu suspension systems | Safari snorkels

1. Ford Everest shown with ARB Summit bull bar, ARB Summit side rails and steps, ARB under vehicle protection, ARB recovery point, ARB Intensity LED driving lights, Safari Snorkel. 2. ARB Summit bull bar, ARB Summit side rails and steps, ARB under vehicle protection, ARB recovery point, ARB Intensity LED driving lights. 3. ARB Summit side rails and steps 4. ARB under vehicle protection, ARB recovery point, ARB Intensity LED driving lights, SmartBar, Safari snorkel. 5. ARB Summit Sahara bar, ARB under vehicle protection, ARB recovery point, ARB Intensity LED driving lights.



FORD F250 & F350





1



2



3



4

Accessory listing

ARB Modular bar | ARB deluxe bull bars | ARB deluxe winch bull bars | ARB Sahara bars | Electric winches | ARB Intensity and IPF driving lights | Hayman Reese tow bars | ARB Air Locker locking differentials | ARB Differential Covers | Old Man Emu suspension systems | Long Ranger fuel tanks | Safari snorkels

1. Ford F250 shown with ARB Modular bar, electric winch and ARB Intensity LED driving lights, ARB Air locker. 2. ARB Modular bar, electric winch, ARB Intensity LED driving lights, Safari snorkel. 3. ARB Modular bar, electric winch, ARB Intensity LED driving lights. 4. ARB Sahara bar, IPF driving lights.

CHEVROLET/GM COLORADO

CHEVROLET/GM COLORADO
152





1



2



3



4



5

Accessory listing

ARB Summit bull bar | ARB Commercial bull bar | Electric winches | ARB Intensity & IPF driving lights | ARB recovery point | ARB under vehicle protection | ARB Summit side rails and steps | ARB Summit rear step tow bar | ARB roof racks | ARB Ascent canopies | ARB Classic canopies | Old Man Emu suspension systems | Safari snorkels

1. Chevrolet/GM Colorado shown with ARB Summit bull bar, ARB Summit side rails and steps, ARB roof rack, ARB recovery point, ARB Intensity LED driving lights, Safari snorkel. 2. ARB Summit bull bar, ARB Summit side rails and steps, ARB Intensity LED driving lights, ARB roof rack, ARB recovery point, Safari snorkel. 3. ARB Summit side rails and steps. 4. ARB Commercial bull bar, ARB roof rack, IPF driving lights, Safari snorkel. 5. ARB Summit bull bar, ARB Intensity LED driving lights.

For more information or to customise your vehicle, visit arb.com.au

ISUZU D-MAX

ISUZU D-MAX

154





Accessory listing

ARB Summit bull bar | ARB Deluxe bull bar | ARB Sahara bar | ARB Commercial bull bar | SmartBar | Electric winches | ARB Summit side rails and steps | ARB Intensity & IPF driving lights | ARB recovery points | ARB under vehicle protection | ARB side rails & steps | Kingsley side steps | ARB Summit rear step tow bar | ARB rear step tow bars | ARB roof racks | Kaymar rear bar & rear wheel carrier | ARB Ascent canopies | ARB Classic & Classic Plus canopies | ARB canopy roof racks | ARB Air Locker locking differentials | Old Man Emu suspension systems | Outback Solutions drawers | Safari snorkels | ARB Frontier tanks

1. Isuzu D-MAX shown with ARB Summit bull bar, ARB under vehicle protection, ARB recovery points, ARB Summit side rails and steps, ARB Intensity LED driving lights, Safari snorkel.
2. ARB Summit bull bar, ARB Summit side rails and steps, ARB Intensity LED driving lights and Safari snorkel.
3. ARB Classic canopy, ARB rear bar.
4. ARB Summit side rails and steps.
5. ARB Ascent Canopy, ARB Summit Rear Step Tow Bar.

For more information or to customise your vehicle, visit arb.com.au



ISUZU MU-X

ISUZU MU-X

156





1



2



3



4



5

Accessory listing

ARB Summit Bull Bar | ARB Deluxe bull bar | SmartBar | Electric winches | ARB Intensity & IPF driving lights | ARB recovery points | ARB under vehicle protection | Kingsley side steps | Old Man Emu suspension systems | Outback Solutions drawers | Safari snorkels | ARB Frontier tanks

1. Isuzu MU-X shown with ARB Summit bull bar, ARB under vehicle protection, ARB recovery points, ARB Intensity LED Driving Lights, Safari snorkel. 2. ARB Deluxe bull bar, ARB under vehicle protection, ARB recovery points, IPF driving lights. 3. ARB Deluxe bull bar, ARB under vehicle protection, ARB recovery points, IPF driving lights. 4. ARB Deluxe bull bar, ARB under vehicle protection, ARB recovery points, Intensity LED driving lights. 5. ARB Deluxe bull bar, ARB recovery points.



JEEP WRANGLER

JEEP WRANGLER

158





1



2



3



4



5

Accessory listing

ARB Deluxe bull bar | ARB winch bumpers | Electric winches | ARB Intensity & IPF driving lights | ARB under vehicle protection | ARB rock sliders | ARB rear bars & rear wheel carriers | Kaymar rear bar & rear wheel carrier | ARB Air Locker locking differentials | ARB differential covers | Old Man Emu suspension systems | Outback Solutions drawers | Long Ranger fuel tanks | Safari snorkels

1. Jeep Wrangler shown with ARB Deluxe bull bar, OME suspension, ARB Intensity LED driving lights, Safari snorkel, ARB Air Locker. 2. ARB rear wheel carrier, ARB rock sliders, OME suspension, Safari snorkel, ARB Air Locker. 3. ARB Deluxe bull bar, ARB Intensity LED driving lights, ARB differential cover, ARB under vehicle protection, OME suspension, ARB Air Locker. 4. ARB Deluxe bull bar, ARB Intensity LED driving lights, OME suspension, Safari snorkel, ARB Air Locker. 5. ARB Deluxe bull bar, ARB Intensity LED driving lights, ARB Air Locker, OME suspension, Safari snorkel.



JEEP GRAND CHEROKEE

JEEP GRAND CHEROKEE 160



1



2



3

Accessory listing

ARB Deluxe bull bar | Electric winches | ARB Intensity & IPF driving lights | Kingsley side steps | ARB Air Locker locking differentials | Old Man Emu suspension systems | Safari snorkels

1. Jeep Grand Cherokee shown with ARB Deluxe bull bar and IPF lights. 2. ARB Deluxe bull bar and IPF lights. 3. ARB Deluxe bull bar and IPF lights.

For more information or to customise your vehicle, visit arb.com.au

LAND ROVER DEFENDER

1



2



3

Accessory listing

ARB Deluxe bull bar | ARB winch bumpers | Electric winches | ARB Intensity & IPF driving lights | Kingsley side steps | Hayman Reese tow bars | Kaymar rear wheel carrier | ARB roof racks | ARB Air Locker locking differentials | ARB differential covers | Old Man Emu suspension systems | Outback Solutions drawers | Long Ranger fuel tanks | Safari snorkels

1. Land Rover Defender shown with ARB Deluxe bull bar, ARB roof racks, IPF driving lights, Safari snorkel. 2. ARB Deluxe bull bar, OME suspension, Safari snorkel. 3. ARB roof rack, Safari snorkel.

For more information or to customise your vehicle, visit arb.com.au

LAND ROVER DISCOVERY

LAND ROVER DISCOVERY
162





Accessory listing

ARB Summit bull bar | Electric winches | ARB Intensity & IPF driving lights | Kingsley side steps | ARB Air Locker locking differentials | ARB auxiliary battery systems | Long Ranger fuel tanks | Safari snorkels

1. Land Rover Discovery shown with ARB Summit bull bar, ARB intensity LED driving lights, Thule roof box. 2. ARB Summit bull bar, ARB Intensity LED driving lights. 3. ARB Summit bull bar, ARB intensity LED driving lights. 4. ARB Summit bull bar, ARB intensity LED driving lights. 5. ARB Summit bull bar, ARB intensity LED driving lights, Thule roof box.

For more information or to customise your vehicle, visit arb.com.au

MAZDA BT-50

MAZDA BT-50

164





1



2



3



4



5

Accessory listing

ARB Summit bull bar | ARB Sahara bar | SmartBar | ARB Summit side rails and steps | Electric winches | ARB Intensity & IPF driving lights | ARB recovery point | ARB under vehicle protection | Kingsley side steps | ARB Summit rear step tow bar | Kaymar rear bar & rear wheel carrier | ARB Ascent canopies | ARB Classic canopies | ARB roof racks | ARB Air Locker locking differentials | Old Man Emu suspension systems | Outback Solutions drawers | Long Ranger fuel tanks | Safari snorkels | ARB Frontier tanks

1. Mazda BT-50 shown with ARB Summit bull bar, ARB Summit side rails and steps, ARB under vehicle protection, ARB recovery point, ARB Intensity LED driving lights, ARB roof rack, Safari snorkel. 2. ARB Summit rear step tow bar, ARB Ascent canopy, ARB roof rack. 3. ARB Summit bull bar, ARB under vehicle protection, ARB recovery point, ARB Intensity LED driving lights, ARB roof rack. 4. ARB Summit side rails and steps. 5. ARB Summit bull bar, ARB Summit side rails and steps, Safari snorkel.

For more information or to customise your vehicle, visit arb.com.au



MITSUBISHI TRITON L200

MITSUBISHI TRITON L200

166





Accessory listing

ARB Summit bull bar | ARB Alloy bull bar | ARB Commercial bull bar | SmartBar | Electric winches | ARB Intensity & IPF driving lights | ARB recovery points | ARB under vehicle protection | ARB Summit side rails and steps | Kingsley side steps | ARB Summit rear step tow bar | Hayman Reese tow bars | ARB roof racks | ARB Ascent canopies | ARB Classic canopies | ARB Air Locker locking differentials | Old Man Emu suspension systems | Outback Solutions drawers | Long Ranger fuel tanks | Safari snorkels | ARB Frontier tanks

1. Mitsubishi Triton shown with ARB Summit bull bar, ARB Summit side rails and steps, ARB roof rack, ARB Classic canopy, IPF driving lights. 2. ARB Alloy bull bar, ARB under vehicle protection, Safari snorkel, IPF driving lights. 3. ARB Summit bull bar, ARB Summit side rails and steps. 4. ARB Summit rear step tow bar, ARB Ascent canopy, Summit side rails and steps, Safari snorkel. 5. ARB Commercial bull bar, IPF driving lights.

For more information or to customise your vehicle, visit arb.com.au

MITSUBISHI PAJERO SPORT

MITSUBISHI PAJERO SPORT

168



1



Accessory listing

ARB Summit bull bar | ARB Intensity LED driving lights | IPF driving lights | SmartBar | Electric winches

1. Mitsubishi Pajero Sport shown with ARB Summit bull bar, ARB Intensity LED driving lights.
2. ARB Summit bull bar.
3. ARB Summit bull bar, ARB Intensity LED driving lights.

For more information or to customise your vehicle, visit arb.com.au

MITSUBISHI PAJERO/ MONTERO

MITSUBISHI PAJERO
169



1



2



3

Accessory listing

ARB Deluxe bull bar | ARB Sahara bar | ARB Commercial bull bar | SmartBar | Electric winches | ARB Intensity & IPF driving lights | Kingsley side steps | ARB roof racks | ARB Air Locker locking differentials | Old Man Emu suspension systems | Long Ranger fuel tanks | Safari snorkels

1. Mitsubishi Pajero shown with ARB Deluxe bull bar, IPF driving lights.
2. ARB Sahara bar, ARB roof rack, IPF driving lights, Safari snorkel.
3. ARB Deluxe bull bar, IPF driving lights, Safari snorkel.

For more information or to customise your vehicle, visit arb.com.au

NISSAN PATROL

NISSAN PATROL

170





1



2



3



4



5

Accessory listing

ARB Deluxe bull bar | ARB Sahara bar | ARB Commercial bull bar | Electric winches | ARB Intensity & IPF driving lights | ARB recovery points | ARB side rails & steps | ARB protection steps | Kingsley side steps | ARB rear bars & rear wheel carriers | ARB roof racks | Kaymar rear bar & rear wheel carrier | ARB Air Locker locking differentials | Old Man Emu suspension systems | Outback Solutions drawers | Cargo barriers | Long Ranger fuel tanks | Safari snorkels

- 1. Nissan Patrol shown with ARB Deluxe bull bar, ARB Intensity LED driving lights, ARB roof rack.
- 2. ARB rear wheel carrier, Long Ranger fuel tank, ARB roof rack, OME suspension.
- 3. ARB Deluxe bull bar, ARB Intensity LED driving lights, ARB roof rack.
- 4. ARB Deluxe bull bar, ARB roof rack, IPF driving lights, Safari snorkel.
- 5. ARB Deluxe bull bar.

For more information or to customise your vehicle, visit arb.com.au



NISSAN NAVARA

NISSAN NAVARA

172





1



2



3



4



5

Accessory listing

ARB Summit bull bar | ARB Alloy bull bar | ARB Summit Sahara bar | ARB Commercial bull bar | SmartBar | Electric winches | ARB Intensity & IPF driving lights | ARB under vehicle protection | ARB Summit side rails and steps | Kingsley side steps | ARB Summit rear step tow bar | ARB Recovery points | ARB roof racks | ARB Ascent canopies | ARB Classic canopies | ARB canopy roof racks | ARB Air Locker locking differentials | Old Man Emu suspension systems | Outback Solutions drawers | Long Ranger fuel tanks | Safari snorkels

1. Nissan Navara shown with ARB Summit bull bar, ARB Summit side rails and steps, ARB under vehicle protection, ARB recovery points, ARB Intensity LED driving lights.
2. ARB Summit bull bar, ARB Summit side rails and steps, ARB under vehicle protection, ARB recovery points, ARB Intensity LED driving lights.
3. ARB Summit side rails and steps.
4. ARB Summit rear step tow bar, ARB Summit side rails and steps, ARB Ascent canopy.
5. ARB Summit Sahara bar, ARB under vehicle protection, ARB recovery points, ARB Intensity LED driving lights, Safari snorkel.



CHEVROLET SILVERADO, SUBURBAN & TAHOE

CHEVROLET SILVERADO, SUBURBAN & TAHOE

174



1



2



3

Accessory listing

ARB Modular bar | ARB deluxe bull bars | ARB deluxe winch bull bars | Electric winches | ARB Intensity & IPF driving lights | ARB Air Locker locking differentials | ARB Differential Covers

1. Chevrolet Silverado shown with ARB Modular bar, electric winch and ARB Intensity LED driving lights. 2. ARB Modular bar and electric winch. 3. ARB Modular bar.

For more information or to customise your vehicle, visit arb.com.au

DODGE RAM

DODGE RAM
175



Accessory listing

ARB deluxe bull bars | ARB Modular bar | ARB Sahara bars | Electric winches | ARB Intensity & IPF driving lights | ARB Air Locker locking differentials | ARB Differential Covers

1. Dodge Ram shown with ARB Modular bar, electric winch and ARB Intensity LED driving lights. 2 & 3 ARB deluxe bull bar, electric winch and IPF driving lights.

For more information or to customise your vehicle, visit arb.com.au

TOYOTA 4RUNNER

TOYOTA 4RUNNER
176





1



2



3



4



5

Accessory listing

ARB Summit Bull Bar | Electric Winches | ARB Intensity & IPF Lights | ARB Roof Racks | Outback Solutions drawers | Safari snorkels

1. Toyota 4Runner shown with ARB Summit Bull Bar, electric winch, ARB Intensity LED driving lights and ARB roof rack.
2. ARB Summit Bull Bar, electric winch, ARB Intensity LED driving lights.
3. ARB Summit Bull Bar, electric winch, ARB Intensity LED driving lights, ARB Intensity LED light bar, ARB roof rack, aluminium awning.
4. ARB Summit Bull Bar, electric winch, ARB Intensity LED driving lights.
5. ARB Summit Bull Bar, electric winch, ARB Intensity LED driving lights, ARB Intensity LED light bar, ARB roof rack, Safari snorkel.



TOYOTA LANDCRUISER 200 SERIES

TOYOTA LANDCRUISER 200 SERIES
178





1



2



3



4



5

Accessory listing

ARB Summit bull bar | ARB Summit Sahara bar | ARB Alloy bull bar | ARB Commercial bull bar | Electric winches | ARB Intensity & IPF driving lights | ARB recovery points | ARB under vehicle protection | ARB Summit side rails & steps | Kingsley side steps | ARB rear bars and rear wheel carriers | ARB roof racks | Kaymar rear bar & rear wheel carrier | ARB Air Locker locking differentials | Old Man Emu suspension | Outback Solutions drawers | Long Ranger fuel & water tanks | Safari snorkels | ARB Frontier tank

1. Toyota LandCruiser 200 Series shown with ARB Summit bull bar, ARB Summit side rails and steps, ARB under vehicle protection, ARB recovery points, ARB Intensity LED driving lights, ARB roof racks. 2. ARB Summit Sahara bar, ARB recovery points, ARB Intensity LED driving lights. 3. ARB Summit bull bar, ARB Summit side rails and steps, ARB under vehicle protection, ARB recovery points, ARB Intensity LED driving lights, ARB roof rack. 4. ARB Summit bull bar, ARB Summit side rails and steps. 5. ARB Summit bull bar, ARB under vehicle protection, ARB recovery point, ARB Intensity LED driving lights.



TOYOTA LANDCRUISER PRADO

TOYOTA LANDCRUISER PRADO
180





1



2



3



4



5

Accessory listing

ARB Summit bull bar | ARB Alloy bull bar | ARB Deluxe bull bar | Electric winches | ARB Intensity & IPF driving lights | ARB recovery points | ARB under vehicle protection | ARB Summit side rails and steps | Kingsley side steps | ARB roof racks | Kaymar rear bar & rear wheel carrier | ARB Air Locker locking differentials | Old Man Emu suspension systems | Outback Solutions drawers | Long Ranger water/fuel tanks | Safari snorkels | ARB rear bars and rear wheel carriers

1. Toyota LandCruiser Prado shown with ARB Alloy bull bar, ARB under vehicle protection, ARB recovery points, IPF driving lights, ARB roof rack, Safari snorkel. 2. ARB Alloy bull bar, ARB Intensity LED driving lights, ARB roof rack, Safari snorkel. 3. ARB Summit bull bar, ARB Summit side rails and steps, Kaymar rear bar and wheel carrier. 4. ARB Alloy bull bar, ARB under vehicle protection, ARB recovery point, ARB Intensity LED driving lights, Safari snorkel. 5. ARB Summit bull bar, ARB Intensity LED driving lights.

For more information or to customise your vehicle, visit arb.com.au



TOYOTA HILUX REVO

TOYOTA HILUX REVO
182





1



2



3



4



5

Accessory listing

ARB Summit bull bar | ARB Summit Sahara bar | ARB Alloy bull bar | ARB Commercial bull bar | Electric winches | ARB Intensity & IPF driving lights | ARB recovery points | ARB under vehicle protection | ARB Summit side rails and steps | Kingsley side steps | Summit rear step tow bar | ARB roof racks | ARB Ascent canopies | ARB Classic & Classic Plus canopies | Kaymar rear bar & rear wheel carrier | ARB Air Locker locking differentials | Old Man Emu suspension systems | Outback Solutions drawers | Long Ranger fuel tanks | Safari snorkels | ARB Frontier tank

1. Toyota HiLux shown with ARB Summit bull bar, ARB Summit side rails and steps, ARB under vehicle protection, ARB recovery points, ARB intensity LED driving lights, ARB roof rack, Safari snorkel.
2. ARB Summit Sahara bar, ARB intensity LED driving lights.
3. ARB Summit rear step tow bar, ARB roof rack, ARB Ascent canopy.
4. ARB Summit bull bar, ARB Summit side rails and steps, ARB Intensity LED driving lights.
5. ARB Summit bull bar, ARB Summit side rails and steps, ARB Intensity LED driving lights, Safari snorkel.

For more information or to customise your vehicle, visit arb.com.au



TOYOTA LANDCRUISER 70 SERIES

TOYOTA LANDCRUISER 70 SERIES

184





1



2



3



4



5

Accessory listing

ARB Deluxe bull bar | ARB Commercial bull bar | SmartBar | Electric winches | ARB Intensity & IPF driving lights | ARB recovery point | ARB side rails & steps | Kingsley side steps | Kaymar rear bar & rear wheel carrier | ARB roof racks | ARB Air Locker locking differentials | Old Man Emu suspension systems | Outback Solutions drawers | Long Ranger fuel & water tanks | Safari snorkels | ARB Frontier tanks

1. Toyota LandCruiser 70 Series shown with ARB Deluxe bull bar, ARB recovery point, ARB roof rack, IPF driving lights, Safari snorkel. 2. Safari snorkel, ARB Intensity LED driving lights, ARB side rails & steps, ARB Deluxe bull bar, and Warn winch. 3. ARB Deluxe bull bar, ARB roof rack, IPF lights, Safari snorkel and Warn winch. 4. ARB side rails & steps. 5. ARB roof rack with wind deflector, ARB Deluxe bull bar, IPF lights, Safari snorkel and Warn winch.



TOYOTA FORTUNER

TOYOTA FORTUNER

186





Accessory listing

ARB Summit bull bar | ARB Summit Sahara bar | ARB Alloy bull bar | ARB Summit side rails and steps | ARB Intensity & IPF driving lights | ARB Recovery points | OME suspension | Safari snorkel | ARB under vehicle protection

1. Toyota Fortuner shown with ARB Summit bull bar, ARB Summit side rails and steps, ARB Intensity LED driving lights, ARB recovery points. 2. ARB Summit side rails and steps, OME suspension. 3. ARB Summit bull bar, ARB Summit side rails and steps, ARB recovery points. 4. ARB Summit Sahara bar, ARB under vehicle protection, ARB recovery points, IPF driving lights. 5. ARB Summit bull bar, ARB Summit side rails and steps, ARB recovery points, IPF driving lights.

For more information or to customise your vehicle, visit arb.com.au

TOYOTA TACOMA

TOYOTA TACOMA
188





1



2



3



4



5

Accessory listing

ARB Summit bull bar | ARB Summit side rails and steps | Summit rear step tow bar | ARB Intensity driving lights | ARB roof racks | BP-51 Suspension | Safari snorkel | ARB Simpson III rooftop tent

1. Toyota Tacoma shown with ARB Summit bull bar, ARB side rails and steps, Safari snorkel, ARB Under Vehicle Protection, ARB recovery point, ARB roof rack, electric winch and ARB Intensity LED driving lights. 2. ARB Summit bull bar, Safari snorkel, ARB Under Vehicle Protection, ARB Intensity LED driving lights, ARB roof rack, electric winch. 3. ARB Summit rear step tow bar, ARB Simpson III rooftop tent. 4. ARB side rails and steps, ARB roof rack, Safari snorkel, ARB Simpson III rooftop tent. 5. ARB Summit bar, ARB Intensity LED driving lights.

For more information or to customise your vehicle, visit arb.com.au

VOLKSWAGEN AMAROK

VOLKSWAGEN AMAROK

190





1



2



3



4



5

Accessory listing

ARB Summit bull bar | ARB Summit side rails and steps | ARB Intensity & IPF driving lights | ARB roof racks | ARB Classic & Classic Plus canopies | ARB Ascent canopy | OME Suspension | Safari snorkel

1. Volkswagen Amarok shown with ARB Summit bull bar, ARB Summit side rails and steps, ARB Intensity LED driving lights, ARB roof rack.
2. ARB Classic Plus canopy, ARB Summit rear step tow bar, ARB roof rack.
3. ARB Summit side rails and steps.
4. ARB Summit bull bar, ARB Summit side rails and steps, ARB Intensity LED driving lights, ARB roof rack, ARB Classic Plus canopy.
5. ARB Summit rear step tow bar, ARB roof rack, ARB Classic Plus Canopy.

For more information or to customise your vehicle, visit arb.com.au

SUBSCRIBE TO ARB

WITH A MOBILE FRIENDLY RESPONSIVE DESIGN, CLEAN LAYOUT AND COMPREHENSIVE VEHICLE CUSTOMISATION SECTION, THE ARB WEBSITE IS A FANTASTIC RESOURCE FOR ALL PRODUCT INFORMATION, NEWS AND EVENTS.

No matter what device you're using, the ARB website is the perfect way to browse our complete range of products and view technical information. Keep up to date with the latest releases, subscribe to our mailing list, view the current ARB 4x4 Culture magazine and much more.

The 'products for your vehicle' section allows users to easily select their vehicle's make, model and year, and generate a list of products available to suit. Along with a great selection of product specific images and details, you will be able to see how each ARB product complements your vehicle.



WEBSITE
192

GET SOCIAL

JUMP ONLINE TO GET OFF ROAD.

Join the hundreds of thousands of people already a part of ARB's ever growing online community. Post photos, ask questions, get information, enter competitions and take part in our debates on all things four wheel drive. Plus, you'll also be among the first to see our new products and even get a behind the scenes look at ARB.



arb4x4



arb4x4



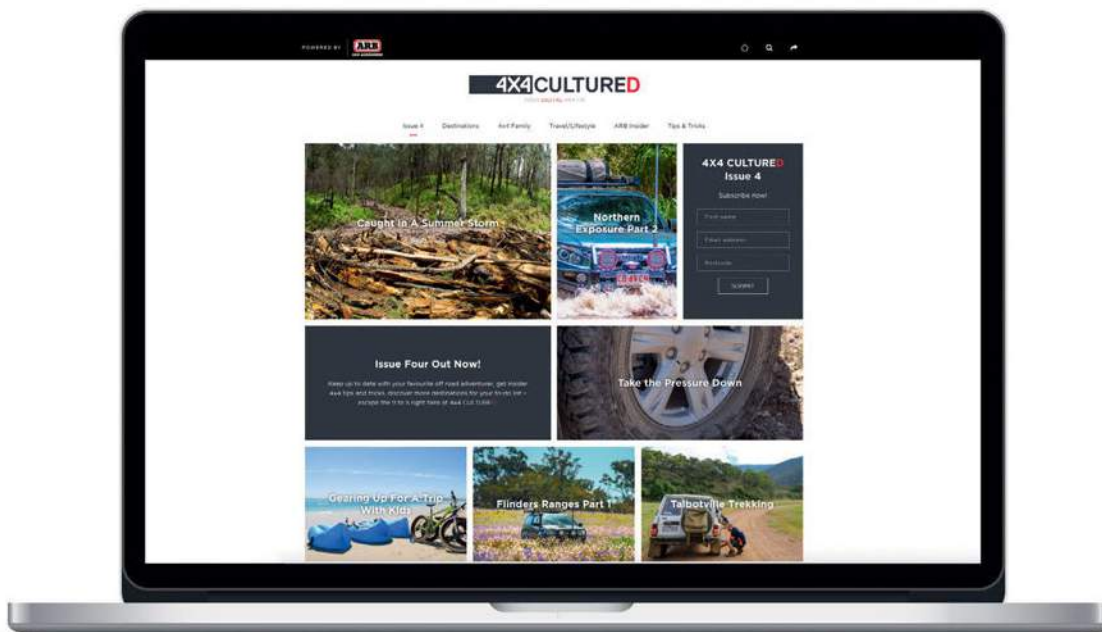
arb4wd



arb4x4

ARB 4X4 CULTURED

4X4 CULTURED



SUBSCRIBE
193

Keep up to date with your favourite off road adventurer, get insider 4x4 tips and tricks, discover more destinations for your to-do-list, escape the 9 to 5 right here at 4X4 CULTURED!

There are a variety of articles to cater to all types of off roaders, from beginners, to the family extender holiday-ers, to the weekend warriors.

Click SUBSCRIBE NOW at the bottom of 4x4cultured.com.au to receive your 4x4 fix!

ARB OFFICES

HEAD OFFICE

ARB Corporation Ltd
42-44 Garden Street
Kilsyth VIC 3137 Australia
Tel: +61 3 9761 6622
Fax: +61 3 9761 6807
Email: exports@arb.com.au
Web: www.arb.com.au

NORTH AMERICA

720 SW 34th Street
Renton, WA 98057
Tel: (425) 264 1391
Fax: (425) 264 1392
Email: sales@arbusa.com
Web: www.arbusa.com

CENTRAL & SOUTH AMERICA

3700 Port Jacksonville Pkwy Suite
#1, Jacksonville FL 32226, USA
Tel: (904) 379 8216
Fax: (904) 813 7197
Email: latam@arbusa.com

THAILAND

Building GW1, 300/56,
Moo 1, Tambon Tasit,
Amphur Pluakdaeng,
Rayong, 21140, Thailand
Tel: +66 (0) 38 929 672
Fax: +66 (0) 38 929 676
Email: sales.thailand@arb.com.au
Web: www.arb.co.th

EUROPE

Na Dlouhém č.80, DC2,
Říčany - Jazlovic,
251 01, Czech Republic
Tel: +420 323 040 900
Fax: +420 323 040 910
Email: purchasingeu@arb.com.au
Web: www.arbeurope.com

MIDDLE EAST

ARB Middle East FZE
LIU15, RA07AB05
Jebel Ali Freezone,
North Dubai, United Arab Emirates
Tel: +971 4 880 7005
Email: purchasingmena@arb.com.au

OTHER REGIONS

Please contact our
Export department
Tel: +61 3 9761 6622
Email: exports@arb.com.au



Supporting sustainable environmental practices, this catalogue is printed by Offset Alpine Printing Limited under ISO 14001 Environmental Certification. No old growth forests were felled to make this paper and paper fibre is from certified forests and audited sources. Offset Alpine have an extensive environmental management program in place with a commitment to continual improvement that extends throughout their daily printing operation.

ABN 31 006 708 756



The information contained in this catalogue was correct at the time of printing.

ARB Corporation Limited and its associated companies reserve the right to alter any specifications and to alter the range of products stocked without notice. Always consult your ARB authorised distributor for the latest information on products and specifications. Copyright Warning: This catalogue is the subject of Copyright and unauthorised copying of any part is prohibited. Copyright © 1998 - 2017 ARB Corporation Limited. Additionally, certain products and associated trade marks shown in this catalogue have been protected under trade mark, design and patent legislation. Legal proceedings may be commenced in respect of any infringement of such copyright, trade mark, patent or design rights.

VANZELLA DESIGN
(03) 9040 2383

MAJOR PHOTOGRAPHY BY
OFFROAD IMAGES





4X4 ACCESSORIES

Printed in Australia. Part No. 573240